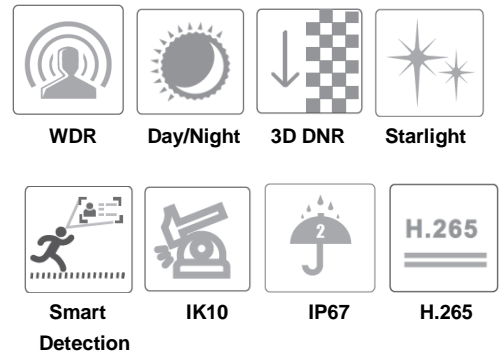


### 16MP Stitched 180° Panoramic Network Camera



**TD-6444M3(D/PE/AR2)**



## Features

- Four 4MP video modules to stitch one 16MP (5520x2400), 180°panoramic view stream
- True starlight technology (0.008lux@F2.0 AGC on) provides vivid color at most scenarios
- 25m Smart IR provides clear and uniform B/W image under no light condition
- DWDR, 3D DNR, BLC, HLC
- Covers a large public area (7,800m<sup>2</sup> or 70 m in radius) to count crowd density, record actions.
- Recognizes max.100 faces/sec within a public area (278 m<sup>2</sup> or 13m in radius)
- Alarm triggered by multi-rules: crowd density limit, mask-wearing status, line crossing, intrusion, device error
- 5 zones of e-PTZ, 4 zones of privacy masks, and custom logo support.
- ONVIF, interoperability between network video products, regardless of manufacturer
- Interface: RJ45, SD Card, Alarm, Audio, RS485
- - 30°C~ 60°C (-22°F ~ 140 °F), IP67, IK10, Metal body
- PoE+ (802.3.at, class 3), and DC12V
- One IP, one cable, reducing total fees

## Application

Public area safety: Railway station, Airport, Cathedral, City mall, Plaza, School, Conference room, etc.

### Specifications

<b>Camera Module</b>	
Image sensor	1/1.8" progressive scan CMOS image sensor x 4
Mini. Illumination	Color : 0.008Lux @ (F2.0 , AGC ON) ; B/W : 0.008Lux @(F2.0 , AGC ON);0Lux with IR
Image setting	Flip, Mirror, Saturation, Brightness, Contrast, Sharpness, AGC, and AWB adjusted by client software/browser
Shutter Speed	1/1 s – 1/10,000 s
White Balance	Auto/Manual/Indoor/Outdoor
Gain	Auto/Manual
Day & Night	IR Cut filter
Digital Zoom	16x
Privacy Mask	4 Programmable privacy masks
3D DNR	Auto/Manual
BLC	Yes
HLC	Yes
WDR	D-WDR
Defog	Electronic
EIS	Yes
Regional Exposure	No
Picture overlay	Logo picture could be overlaid on video
<b>Lens</b>	
Focus length	4.5mm lens x 4
Aperture	F2.0
FOV	Panoramic image: Horizontal FOV:180° ; Vertical FOV: 85°
Working distance	1.0m ~ INF
<b>IR</b>	
IR Range	25m radius
Smart IR	Yes
<b>Network</b>	
Max Resolution	5520x2400@25/30fps
Main stream	5520 x2400, 3840x1680, 2784x1200(25/30fps)
Sub stream:	2048x896,704x320(25/30fps)
Third stream:	704x320 (25/30fps )
SVC	Yes
Video compression	Smart H.265/H.264/MJPEG
Audio compression	G.711 A/U

Audio Enhancement	Not support
Protocols	HTTP, HTTPS, IPv4/IPv6, 802.1x, QoS, FTP, SMTP, UPnP, SNMP,DNS, DDNS, NTP, RTSP, RTCP, RTP, TCP/IP, UDP, IGMP, ICMP,DHCP, PPPoE
Simultaneous live view	Up to 6 channels
User / Host	Up to 16 users, 3 levels: Administrator, Advanced User and Normal User
Security Measures	User authentication (ID and PW), Host authentication (MAC address); HTTPS encryption, IEEE802.1x port-based network access control; IP address filtering
<b>Smart Features</b>	
Basic event	Motion detection (panorama and original modes support), video tampering alarm, exception (network disconnected, IP address conflict, SD full, SD error)
Face Recognition	Max 100 human faces (mask) per second(default off) (V5.0.1 and later)
Face Comparison	Default off
People Density Statics	Yes (only the panorama mode support)
Smart Detection	Intrusion detection, line crossing detection, region entrance detection, region exiting detection
ePTZ	5 Zones, auto trace and zoom fit (V5.0.1 does not support )
Alarm Linkage	Upload to FTP/Memory card, notify surveillance center, send email, trigger alarm output, trigger recording, trigger capture
<b>System Integration</b>	
Alarm Interface	1CH alarm input; 1CH alarm output
Audio Interface	1CH audio input, 2 to 2.4v[p-p] 1kΩ±10%; 1CH audio output (line out), impedance: 600Ω
Network Interface	1 RJ45 10M/100M/1000MAdaptive Ethernet (Support PoE 802.3.at)
CVBS	Optional
RS 485	Pelco-D / P protocol, custom protocols available
Storage	Built-in memory card slot, support microSD/SDHC/SDXC, up to 256G
USB3.0	Not support
Fiber Optical	Not Support
GIS	Not Support
API	ONVIF, support TVT SDK and third-party management platform
Client	VMS-9000 and the third-party client
Web Browser	IE8-11 (NOT support Safari /Firefox /Chrome)
<b>General</b>	
Power	DC12V,PoE+(802.3.at, class 3), (Max 25W, include IR on )
Working condition	-30°C ~ 60°C (-22°F ~ 140 °F),90%RH less (non-condensing),cold start at -20°C
Storage condition	-40°C ~ 70°C ;≤ 95%RH
Protection	IP 67, IK 10, 6000VLightning Protection, Surge Protection and Voltage Transient Protection
Material	Aluminum Alloy; PC + GF
Dimensions	LxWxH= 288.4mm x 159.7mm x 137.7mm (11.35" x 6.29"x 5.42")
Weight	Approx. 2.1Kg(4.63lb)
Certification	ROHS, CE, FC, IK10, IP67

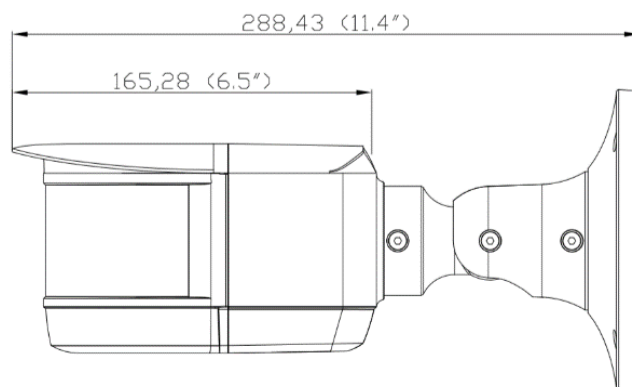
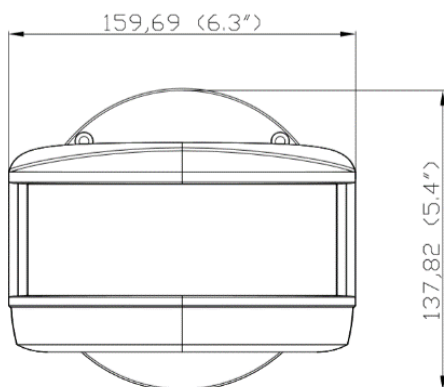
### Ordering Information

Camera	TD-6444M3(D/PE/AR2)	16MP Stitched 180° Panoramic Network IR Bullet Camera, DC12V/PoE+, IP67/IK10,-30°C~60°C
Accessories	TD-YXH0207	Wall mount bracket
	TD-YXH0207+YZJ0407	Wall mount bracket
	TD-YXH0207+YZJ0811	Ceiling mount bracket
	TD-YXH0207+YZJ0407+YZJ0501	Pole mount bracket
	TD-YXH0207+YZJ0501	Pole mount bracket
	TD-YXH0207+YZJ0407+YZJ0601	Corner mount bracket
	TD-YXH0207+YZJ0601	Corner mount bracket
	LAS30-57CN-RJ45	30W Single Port PoE Injector
	ONV- POE34002P	30W x 2 Ports PoE Switch
	DC12V3A	Power Adaptor

\* Please contact your local sales for more information about production details.

### Dimension

Unit: mm (inch)



## Accessories



TD-YXH0207  
Wall Mount



TD-YXH0207+YZJ0407  
Wall Mount



TD-YXH0207+YZJ0811  
Ceiling Mount



TD-YXH0207+  
TD-YZJ0407+ YZJ0501  
Pole Mount



TD-YXH0207+YZJ0501  
Pole Mount



TD-YXH0207+  
YZJ0407+YZJ0601  
Corner Mount



TD-YXH0207+YZJ0601  
Corner Mount



DC12V3A  
Power Adapter



LAS30-57CN-RJ45  
30W Single Port PoE Injector



ONV-POE34002P  
30Wx2 Port PoE Switch

**Shenzhen TVT Digital Technology Co., LTD.**

Address: 23<sup>rd</sup> Floor, Block B4, Building NO.9, Shenzhen Bay Eco-Technology Park, Nanshan District, Shenzhen, Guangdong Province, P.R. China

Tel: +86-755-36995888

Website: <http://en.tvt.net.cn>

Fax: +86-755-33104777

E-mail: [overseas@tvt.net.cn](mailto:overseas@tvt.net.cn)