

CE FC ONVIF

## 16MP Stitched 360° Panoramic Network Camera



### System:

### TD-6528M3(D/PE/AR2/GIS)

- Eight 1080P video modules to stitch one 16MP (4096x1800x2), 360°surrounded video stream.
- True starlight technology (0.008lux@F2.0 AGC on) provides vivid color at most scenarios.
- 30m Smart IR provides clear and uniform B/W image under no light conditions.
- True WDR 120dB, 3D DNR, BLC, HLC.
- Covers a large public area (8820m<sup>2</sup>) or 53m in radius to count people density, record actions.
- Recognizes max 300 faces/sec within a public area (314 m<sup>2</sup>) or 10m in radius.
- Alarm driven by multi-rules: people density limit, mask-wearing state, cross line, intrusion, device error.
- 5 zones of e-PTZ, 8 zone of privacy masks, and custom logo support.
- ONVIF specifications, interoperability between network video products regardless of manufacturer.
- Interface:RJ45, SD Card, Alarm, Audio, RS485, Reset, USB3.0
- - 40°C~65°C (-40 °F ~ 149 °F), IP67, IK10, Metal body
- Support PoE++ (802.3.bt, class 6) and DC24V / AC24V
- One IP, one cable, reduces total fees
- GIS information: GPS/GLONASS/BDS

### Application:

Large public area safety: Subway station, Airport, Cathedral, City mall, Plaza, School, Conference center, etc.

### SPECIFICATION:

Camera Module	
Image sensor	1/2.8" progressive scan CMOS image sensor x 8
Mini. Illumination	Color: 0.008Lux @ (F2.0, AGC ON); B/W: 0.008Lux @(F2.0, AGC ON);0Lux with IR
Image setting	Flip, Mirror, Saturation, Brightness, Contrast, Sharpness, AGC, and AWB adjusted by client software/browser
Shutter Speed	1/1 s – 1/10,000 s
White Balance	Auto/Manual/Indoor/Outdoor
Gain	Auto/Manual
Day & Night	IR Cut filter
Digital Zoom	16x
Privacy Mask	8 Programmable privacy masks
3D DNR	Auto/Manual
BLC	Yes
HLC	Yes
WDR	120 dB WDR (Support HDR10,TBC)
Defog	Electronical
EIS	Yes
Regional Exposure	No
Picture overlay	Logo picture could be overlaid on video with 128x128pixels,24bits BMP format(TBC)
Lens	
Focus length	3.3mm lens x 8
Aperture	F2.0
FOV	Panoramic image: Horizontal FOV: 2x180°(360°); Vertical FOV: 85°
Working distance	1.0m ~ INF
IR	
IR Range	30m in radius
Smart IR	Yes
Network	
Max Resolution	4096 x1800x2, 25/30fps
Main stream	4096 x 1800 , 3840 × 1680 , 2784 × 1200 (1~30fps)
Sub stream:	2048 × 896, 1280 × 560 , 704 × 320 (1~30fps)
Third stream:	704 × 320, 512 × 232 ( 1~30fps )
SVC	Yes
Video compression	Smart H.265/H.264/MJPEG
Audio compression	G.711 A/U, and other protocols by software(not by ver5.01)
Audio Enhancement	AEC(Acoustic Echo Canceller), ANR(Automatic noise reduction) (Not by ver5.01)

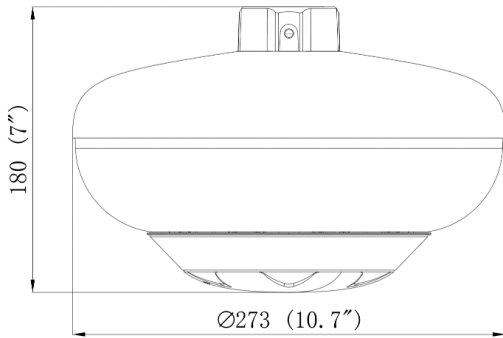
Protocols	HTTP, HTTPS, IPv4/IPv6, 802.1x, QoS, FTP, SMTP, UPnP, SNMP,DNS, DDNS, NTP, RTSP, RTCP, RTP, TCP/IP, UDP, IGMP, ICMP,DHCP, PPPoE
Simultaneous live view	Up to 6 channels
User / Host	Up to 16 users, 3 levels: Administrator, Advanced User and Normal User
Security Measures	User authentication (ID and PW), Host authentication (MAC address); HTTPS encryption, IEEE802.1x port-based network access control; IP address filtering
<b>Smart Features</b>	
Basic event	Motion detection (panorama and original modes support), video tampering alarm, exception (network disconnected, IP address conflict, SD full, SD error)
Face recognize	Max 300 human faces per second(default off)
Face compare	Default off
People Density Statics	Yes (only the panorama mode support)
Smart Detection	Intrusion detection, line crossing detection, region entrance/region exiting detection
ePTZ	5 Zones, auto trace movable objects and zoom fit <b>(Not by ver5.01)</b>
Alarm Linkage	Upload to FTP/Memory card, notify surveillance center, send email, trigger alarm output, trigger recording, trigger capture
<b>System Integration</b>	
Alarm Interface	2CH alarm input; 2CH alarm output
Audio Interface	1CH audio input, 2 to 2.4v[p-p] 1kΩ±10%; 1CH audio output (line out), impedance: 600Ω
Network Interface	1 RJ45 10M/100M/1000M Adaptive Ethernet (Support PoE 802.3.bt)
CVBS	Optional
RS 485	Pelco-D / P protocol, custom protocols available
Storage	Built-in memory card slot, support microSD/SDHC/SDXC, up to 256G
USB3.0	Support 3rd Party algorithm USB dongle
Fiber Optical	<b>(optional)</b> Single fiber, Tx1310nm/1.25G, Rx1550nm/1.25G,20km
GIS	Built-in GPS/GLONASS /BDS sensor ,support 3 <sup>rd</sup> party e-map protocol <b>(ver5.01 not support)</b>
API	ONVIF, support TVT SDK and third-party management platform
Client	VMS-9000 and the third-party client
Web Browser	IE 8-11 ( <b>NOT Support Safari /Firefox /Chrome</b> )
<b>General</b>	
Power	AC24V, DC24V,PoE++ (802.3.bt, class 6), (Max 50W, include IR and Heater on)
Working condition	-40°C ~ 65°C (-40°F ~ 149°F),90%RH less (non-condensing), cold start at - 40°C
Storage condition	-40°C ~ 70°C ; ≤ 95% RH
Protection	IP 67, IK 10, 6000V Lightning Protection, Surge Protection and Voltage Transient Protection
Material	Aluminum Alloy; PC + GF
Dimensions	∅ 273mm x H 180mm( ∅ 10.7" x 7")
Weight	<b>Approx. 3Kg(6.6lb)</b>
Certification	IK10, IP67,ROHS, CE, FC, ( <b>BIS,KC,UL CERTIFICATION as requirement</b> )

## Ordering information

Camera	TD-6528M3(D/PE/AR2/GIS)	16MP Stitched 360° Panoramic Network IR Dome Camera, GPS,AC24V/DC24V/PoE++, IP67/IK10,-40°C~65°C
Accessories	TD-YZJ0305	Wall mount bracket
	TD-YZJ0306	Wall mount bracket
	TD-YZJxxxx	Pendant mount bracket(Not available now)
	TD-YZJ0807	Pendant mount bracket
	TD-YZJ0305+YZJ0501	Pole mount bracket
	TD-YZJ0305+YZJ0601	Corner mount bracket
	MKAC-76-245000M	AC24V/5A Power Adaptor (-40°C~70°C)
	LAS60-57CN-RJ45	60W Single port PoE Injector(-20°C~60°C)
	ONV-POE34064PFM	60W x 4 Ports PoE Switch (-20°C~55°C)

\*please contact your local sales for more information about product details.

## Dimension



Unit: mm(inch)

## Accessories



TD-YZJ0305

Wall Mount Bracket



TD-YZJ0306

Wall Mount Bracket



TD-YZJxxxx

Pendant Mount Bracket



TD-YZJ0807

Pendant Mount Bracket



TD-YZJ0305+YZJ0501

Pole Mount Bracket



TD-YZJ0305+YZJ0601

Corner Mount Bracket



MKAC-76-245000M

AC24V/5A Adaptor



LAS60-57CN-RJ45

60W Single Port PoE Injector



ONV-POE34064PFM

60W x4 Port PoE Switch

## Shenzhen TVT Digital TECHNOLOGY CO.,LTD

Address: 23rd Floor, Block B4, Building No.9,Shenzhen Bay, Eco-Technology

Park, Nanshan District, Shenzhen, Guangdong Province, P.R.China

Tel: +86-755-36995888

Fax: +86-755-33104777

Web site: <http://en.tvt.net.cn>

E-mail: [overseas@tvt.net.cn](mailto:overseas@tvt.net.cn)