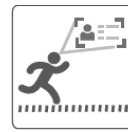


## 4MP 50X Starlight IR Network PTZ Camera



Smart Tracking



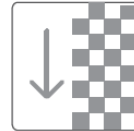
Starlight



True WDR



P-IRIS



3D DNR



PoE++



IP67



H.265

TD-8843IM (PE/WP/50M/AR80)



### System

TD-8843IM(PE/50M/AR80), adopts 1/1.8" progressive CMOS sensor, 50x optical zoom lens and accurate gimbal, could monitor wide open area with great details, such as rivers, forests, roads, railways, airports, ports, squares, parks, scenic spots, stations and large venues. It can recognize human faces or car license plate at 800m away or detect human body at 4km away. To extend face recognition range to 800m at the near complete dark night, this camera improves illumination system: 5 groups of 18pcs of IR LEDs Arrays in one unity structure, accurate DC dimming circuits, Smart IR, facial priority exposure algorithm. The SONY latest sensor, P-IRIS Lens and 3rd generation of AI ISP SOC, contributes world top-notch picture quality: at most time, the camera outputs vivid colorful image without need of B/W state. And also it could suppress smear of the strong light of an automobile and display the darkness such as license numbers clearly. The 2.0T CNN deep-learning engine, supports faces/vehicle classification, detection & recognition, human or vehicle perimeter precaution, auto-tracking. This camera is protected by metal shield. With the built-in heater and cool fan, it could cold start at -40°C. Due to its IP67 Ingress Protection rating and IK10 impact test, 6KV lightning rating, this product could work well in harsh weather, such as islands, desert, ice-plain, tropical and so on. In addition, the camera conforms to the ONVIF specifications, ensuring interoperability between network video products regardless of manufacturer.

### Key Spec:

- 1/1.8" progressive scan CMOS
- Up to 4MP (2560×1440) resolution.
- Mini illumination:
  - Color: 0.004lux @ (F1.4 AGC ON)
  - B/W: 0.0008 lux@ (F1.4 AGC ON)
  - 0 Lux with IR
- 50x ultra zoom lens
- 120 dB WDR, 3D DNR, Smart IR
- Up to 800m IR distance
- Smart H.265/H.264 video compression
- 2.0 Tops Deep-learning Engine
- Smart detection & tracking of human/vehicle,
- Structured information: gender, glass, shoes, etc
- Metal Body, IP67,-40°C~65°C,-40°C cold start
- PoE++ and DC/AC24V

## Application:

Outdoor harsh weather, wide range area intrusion, perimeter protection, such as rivers, forests, roads, railways, airports, ports, squares, parks, scenic spots, stations and large venues.

## SPECIFICATION:

<b>Camera Module</b>	
System	Hi3519AV100,4GB LPDDR4, 4GB EMMC
Image sensor	1/1.8" progressive scan CMOS
Mini. Illumination	Color: 0.004Lux @ (F1.4, AGC ON); B/W: 0.0008 Lux @(F1.4, AGC ON); 0Lux with IR
Image setting	Flip, Mirror, Saturation, Brightness, Contrast, Sharpness, AGC, and AWB adjusted by client software/browser
Shutter Speed	1/1 s – 1/10,000 s
White Balance	Auto/Manual/Indoor/Outdoor
Gain	Auto/Manual
Day & Night	IR Cut filter
Digital Zoom	16x
Privacy Mask	4 Programmable privacy masks
3D DNR	Auto/Manual
BLC	Yes
HLC	Yes
WDR	120 dB
Defog	Electronic
Regional Exposure	No
Picture overlay	Logo picture could be overlaid on video with 128x128pixels,24bits BMP format
<b>Lens</b>	
Focus length	f=6~300 mm lens,50x optical
Zoom Speed	Approx. 9s (optical zoom, wide-tele)
Field of View	Horizontal: 65.3° to 1.7°(wide-tele); Vertical: 38.6° to 1.0°(wide-tele); Diagonal: 2.9° to 2.0°(wide-tele)
Working distance	wide: 1.0m ~ INF; tele: 1.5m ~ INF
Aperture Range	F1.4 ~ F4.2 (wide-tele),P-Iris, 64 F-Stops
<b>PTZ</b>	
Pan Range	360°endless
Pan speed	Configurable, from 0.1~180°/s; Preset speed: 180°/s
Tilt Range	From -20° to 180° (auto-flip at 90°)
Tilt Speed	Configurable, from 0.1°~ 150°/s, Preset speed: 150°/s
Proportional Zoom	Yes
Preset	300
Cruise	8 cruises, up to 16 presets for each cruises
Track	4 tracks, record time over 3 minutes for each track
Power off memory	Support
Action mode	Preset/Cruise/Track/Auto Scan/Random Scan
3D Positioning	Support
PTZ Position Display	Support
Schedule Task	Preset/Cruise/Track/Random Scan/Boundary Scanning /Dome reboot
<b>IR</b>	
IR Distance	800m distance, 5groups of 18 IR LED Arrays
Smart IR	Yes
<b>Network</b>	
Max Resolution	2560×1440

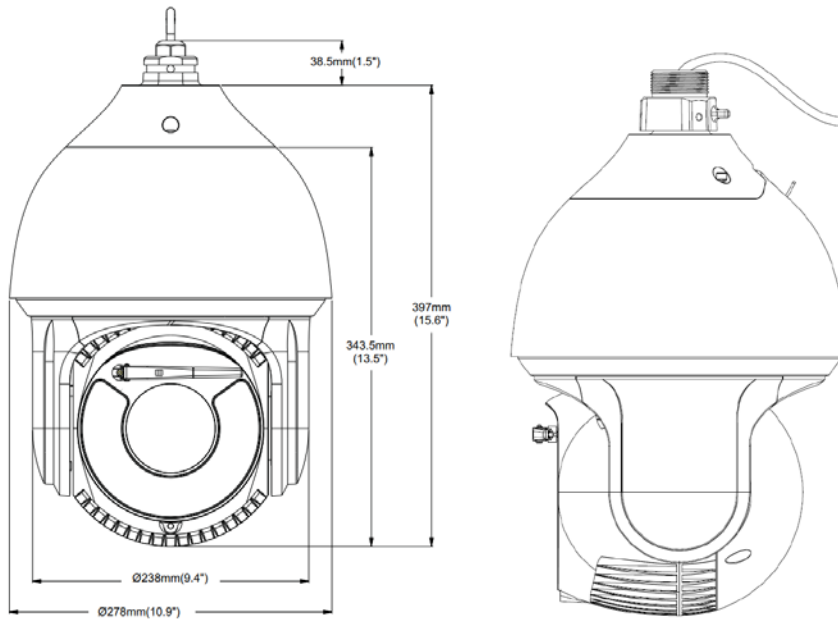
Main stream	2560×1440,2048×1536,1920×1080,1280×720 (25/30fps)
Sub stream	25fps (704 × 576, 640 × 480, 352 × 288); 30fps (704 × 480, 640 × 480, 352 × 240)
Third Stream	25fps (1920 × 1080, 1280 × 960, 1280 × 720, 704 × 576, 640 × 480, 352 × 288) 30fps (1920 × 1080, 1280 × 960, 1280 × 720, 704 × 480, 640 × 480, 352 × 240)
SVC	Yes
Video compression	Smart H.265/H.264/MJPEG
Audio compression	G.711 A/U
Audio Enhancement	No
Protocols	HTTP, HTTPS, IPv4/IPv6, 802.1x, QoS, FTP, SMTP, UPnP, SNMP,DNS, DDNS, NTP, RTSP, RTCP, RTP, TCP/IP, UDP, IGMP, ICMP,DHCP, PPPoE
Simultaneous live view	Up to 6 channels
User / Host	Up to 16 users, 3 levels: Administrator, Advanced User and Normal User
Security Measures	User authentication (ID and PW), Host authentication (MAC address); HTTPS encryption, IEEE802.1x port-based network access control; IP address filtering
<b>Smart Features</b>	
Basic event	Motion detection, video tampering alarm, exception (network disconnected, IP address conflict, SD full, SD error)
Face recognize /compare	Default off, Max 60 human faces per second. Support click and capture(Next version)
People density / LPR/Structured video	Not support by this software version.
Smart Detection	Intrusion detection, Line crossing detection, Region entrance/exiting detection, Unattended baggage detection, Object removal detection, Scene change detection, Support alarm triggering by human or vehicle, filtering flag/animal.
Smart Tracking	Auto Tracking (human or vehicle); Click and Tracking on human/vehicle(Next version)
<b>System Integration</b>	
Alarm Interface	7CH alarm input; 2CH alarm output
Audio Interface	1CH audio input, 2 to 2.4v[p-p] 1KΩ ±10%; 1CH audio output (line out), impedance: 600Ω
Alarm Linkage	Alarm actions, such as Preset, Cruise, Track, Memory Card Video Record, Trigger Recording, Notify Surveillance Center, Upload to FTP/Memory Card, Send Email, etc.
Network Interface	1 RJ45 10M/100M Adaptive Ethernet (Support PoE 802.3.bt,class 7)
CVBS	Yes, 1 BNC connector
RS 485	Pelco-D / P protocol, custom protocols available
Storage	One Memory card slot, support microSD/SDHC/SDXC, up to 256G
API	ONVIF, support TVT SDK and third-party management platform
Client	TVT N9000 1.4.5, TVT NVMS 2.0; and the third-party client
Web Browser	IE(8-11); Firefox( ver44 and early);Chrome(ver76 and early); Not support Safari
<b>General</b>	
Power	AC24V, DC24V,PoE++ (802.3.bt, class 7), (Max 50W, include IR on, Heater on, Fan working)
Working condition	-40°C ~ 65°C (-40°F ~ 149°F),90%RH less (non-condensing),Cold start at - 40°C
Storage condition	-40°C ~ 70°C ; ≤95% RH
Protection	IP67, IK10,6000V Lightning Protection, Surge Protection and Voltage Transient Protection
Material	Aluminum Alloy
Dimensions	Φ 278mm× H 435mm( Φ 10.94" x 17.12")
Weight	Approx. 9 Kg (19.84 lb.)
Certification	IP67,IK10,ROHS,CE, FC

## DORI table

It is calculated based on the camera sensor specification and the criteria given by EN 62676-4: 2015.

DORI	Detect (human behaviours)	Observe (as Court level evidence)	Recognize (face ID, CPL)	Identify (human and his photo)
Define	25Pixels/meter	63Pixels/meter	125Pixels/meter	250pixels/meter
Distance	4000m(13123 f.t.)	1600m (5249 f.t.)	800m(2625 f.t)	400m (1312 f.t.)

## Dimensions:



Unit: inch/mm

## Mounting Brackets Options:

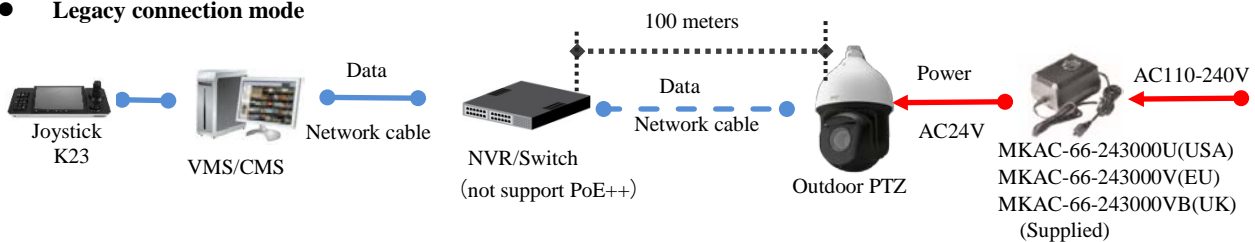
TD-YZJ0306 Wall mount	TD-YZJ0305+YZJ0501 Pole Mount	TD-YZJ0305+YZJ0601 Corner Mount	TD-YZJ0807 Pendant mount

## Ordering information

Camera	TD-8843IM (PE/WP/50M/AR80)	4MP 50X starlight IR 800m Network PTZ camera, with wiper, support smart tracking, AC24V/DC24V/PoE++, IP67,-40°C~65°C,Include wall mount bracket & power adaptor.
--------	-------------------------------	------------------------------------------------------------------------------------------------------------------------------------------------------------------

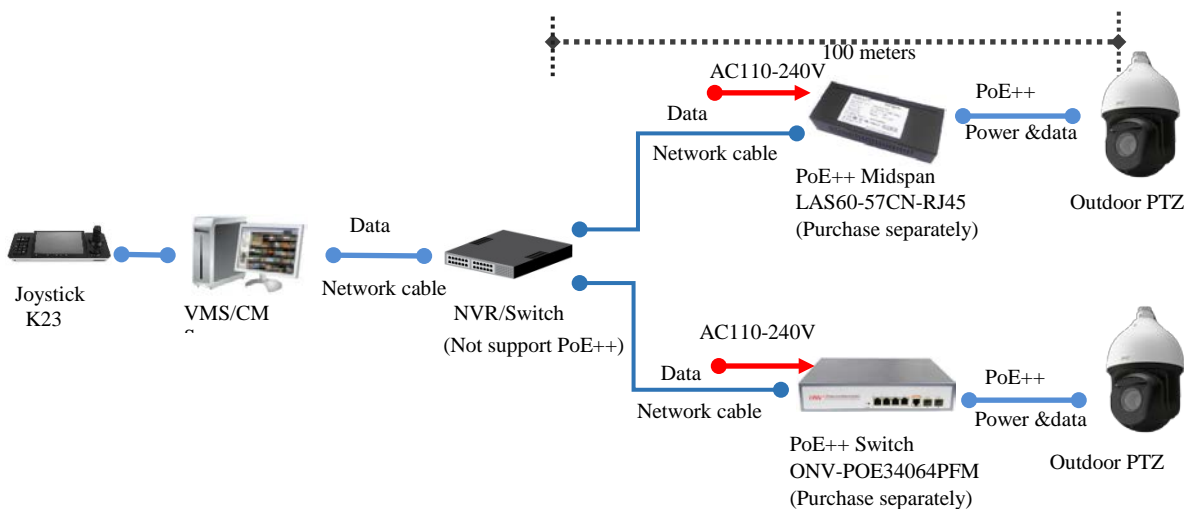
## Connection Options:

### ● Legacy connection mode



### ● PoE++ Mode

TVT has only PoE+ class NVR(802.3.at), it need 3<sup>rd</sup> party PoE++ Midspan or Switch for PoE++ mode



\*All accessories listed here have been tested for compatibility, other vendors are not guaranteed.

\* All pictures and texts are for reference only. Actual product may vary due to product enhancement.

Shenzhen TVT Digital TECHNOLOGY CO.,LTD

Address: 23rd Floor, Block B4, Building No.9,Shenzhen Bay, Eco-Technology Park, Nanshan District, Shenzhen, Guangdong Province, P.R.China

Tel: +86-755-36995888

Web site: <http://en.tvt.net.cn>

Fax: +86-755-33104777

E-mail: [overseas@tvt.net.cn](mailto:overseas@tvt.net.cn)