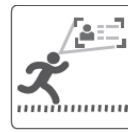


8MP 37X IR 300m Network PTZ Camera



Smart Tracking



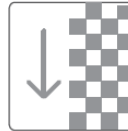
Starlight



True WDR



VCA



3D DNR



PoE++



IP67



H.265

TD-8883IM (PE/WP/37M/AR30)
TD-8883IM (PE/37M/AR30)



System

TD-8883IM series of PTZ adopts 1/1.8" CMOS sensor, 37x optical zoom lens and accurate gimbal, could monitor wide open area with top-notch 4K image details, such as: rivers, forests, roads, railways, airports, ports, squares, parks, scenic spots, stations and large venues. It can recognize human faces within 500 meters around or detect human invader at about 2km in radius.

This model has 2.0T CNN deep-learning engine and supports multiple faces/vehicle detection & classification, perimeter precaution and auto-tracking of human/vehicles.

This product is designed to work in harsh weather, such as islands, desert areas, ice-plain, and so on. It has full metal shield, built-in heater and cool fan, could cold start at -40°C; there is also an electric wiper option. The camera conforms to the ONVIF specifications, ensuring interoperability between network video products regardless of manufacturer.

Key Spec:

- 1/1.8" back-illuminated stacked CMOS
- 37x optical zoom lens
- P-Iris, F1.2 large aperture
- Up to 8MP (4096x2160) resolution.
- Mini illumination:
 Color: 0.005 lux @ (F1.2 AGC ON)
 B/W: 0.001 lux @ (F1.2 AGC ON)
 0 Lux with IR
- 120 dB WDR, 3D DNR, Smart IR
- Up to 300m IR distance
- Smart H.265/H.264 video compression
- 2.0Tops Deep-learning engine
- Smart tracking of human/vehicle
- Smart detection and perimeter precaution
- MetalBody, IP67, -40°C~65°C, -40°C cold start
- PoE++ and DC24V /AC24V

SPECIFICATION:

Camera Module	
Image sensor	1/1.8"back-illuminated progressive scan CMOS
Mini. Illumination	Color: 0.005Lux @(F1.2, AGC ON); B/W: 0.001 Lux @(F1.2, AGC ON); 0Lux with IR
Image setting	Flip, Mirror, Saturation, Brightness, Contrast, Sharpness, AGC, and AWB adjusted by client software/browser
Shutter Speed	1/1 s – 1/100,000 s
White Balance	Auto/Manual/Indoor/Outdoor
Gain	Auto/Manual
Day & Night	IR Cut filter
Digital Zoom	16x
Privacy Mask	24 Programmable privacy masks
SNR	≥55dB
3D DNR	Auto/Manual
Exposure Enhancement	BLC, HLC, 120dB WDR, Gyro-based Image stabilizer
Picture overlay	Logo picture could be overlaid on video ,JPG format
Lens	
Focus length	f=6~222mm lens,37x optical
Zoom Speed	Approx. 4.8s (optical zoom, wide-tele)
Field of View	Horizontal:59° to 2°(wide-tele); Vertical: 34° to 1.1°(wide-tele); Diagonal: 67° to 2.2°(wide-tele)
Working distance	wide: 1.5m ~ INF; tele: 1.5m ~ INF
Aperture Range	F1.2 ~ F4.5 (wide-tele), P-Iris, 210 steps
PTZ	
Pan Range	360°endless
Pan speed	Configurable, from 0.1~180°/s; Preset speed: 180°/s
Tilt Range	From -20° to 180° (auto-flip at 90°)
Tilt Speed	Configurable, from 0.1°~ 150°/s, Preset speed: 150°/s
Proportional Zoom	Yes
Preset	300
Cruise	8 cruises, up to 16 presets for each cruises
Trace	4 traces, record time over 3 minutes for each trace
Power off memory	Support
Action mode	Preset/Cruise/Trace/Auto Scan/Random Scan
3D Positioning	Support
PTZ Position Display	Support
Schedule Task	Preset/Cruise/Trace/Random Scan/Boundary Scanning /Dome reboot
IR	
IR Distance	300m distance
Smart IR	Yes
Network	
Max Resolution	4096× 2160
Main stream	4096× 2160, 3840× 2160, 2560× 1440, 2048× 1536, 1920× 1080,1280× 720(25/30fps)
Sub stream	25fps (704 × 576, 640 × 480, 352 × 288) ; 30fps (704 × 480, 640 × 480, 352 × 240)
Third Stream	25fps (1920 × 1080, 1280 × 960, 1280 × 720, 704 × 576, 640 × 480, 352 × 288) 30fps (1920 × 1080, 1280 × 960, 1280 × 720, 704 × 480, 640 × 480, 352 × 240)
SVC	Yes
Video compression	H.265+/H.265/H.264/MJPEG
Audio compression	G.711 A/U
Protocols	HTTP, HTTPS, IPv4/IPv6, 802.1x, QoS, FTP, SMTP, UPnP, SNMP,DNS, DDNS, NTP, RTSP, RTCP, RTP, TCP/IP, UDP, IGMP, ICMP,DHCP, PPPoE
Simultaneous live view	Up to 6 channels

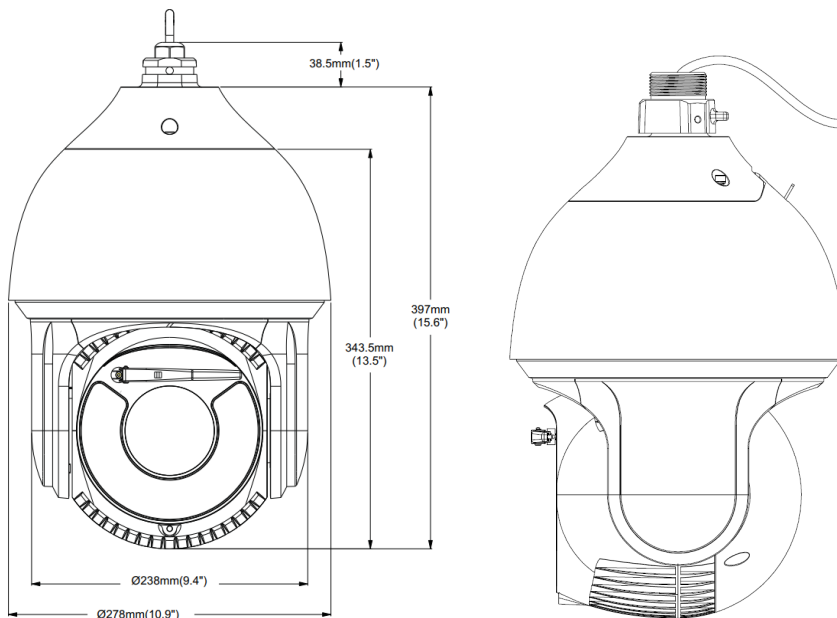
User / Host	Up to 16 users, 3 levels: Administrator, Advanced User and Normal User
Security Measures	User authentication (ID and PW), Host authentication (MAC address); HTTPS encryption, IEEE802.1x port-based network access control; IP address filtering
Smart Features	
Basic event	Motion detection, video tampering alarm, exception (network disconnected, IP address conflict, SD full, SD error)
Face detection	Support detecting up to 30 faces at the same time. Support detecting, tracking, capturing, grading, selecting of face in motion, and output the best face picture of the face.
Road Traffic	Support vehicle detection (license plate number, vehicle model, and vehicle color Recognition)
Smart Detection	Intrusion detection, Line crossing detection, Region entrance detection, Region exiting detection, Object removal detection (object left/missing), Scene change detection, Support alarm triggering by human or vehicle, filtering flag/animal.
Smart Tracking	Auto Tracking (human or vehicle); Click and Tracking on human/vehicle
System Integration	
Alarm Interface	7CH alarm input; 2CH alarm output
Audio Interface	1CH audio input, 2 to 2.4v[p-p] 1KΩ ±10%; 1CH audio output (line out), impedance: 600Ω
Alarm Linkage	Alarm actions, such as Preset, Cruise, Trace, Memory Card Video Record, Trigger Recording, Notify Surveillance Center, Upload to FTP/Memory Card, Send Email, etc.
Network Interface	1 RJ45 10M/100M Adaptive Ethernet (PoE 802.3.bt,class 7)
CVBS	Yes, 1 BNC connector
RS 485	Pelco-D / P protocol, custom protocols available
Storage	One Memory card slot, support microSD/SDHC/SDXC, up to 256G
API	ONVIF, support TVT SDK and third-party management platform
Client	TVT N9000 1.4.5, TVT NVMS 2.0; and the third-party client
Web Browser	IE(8-11)
General	
Power	AC24V, DC24V,PoE++ (802.3.bt, class 7), (Max 50W, include IR on, Heater on, Fan working)
Working condition	-40°C ~ 65°C (-40°F ~ 149°F),90%RH less (non-condensing),Cold start at - 40°C
Storage condition	-40°C ~ 70°C ; ≤95% RH
Protection	IP67, IK10,6000V Lightning Protection, Surge Protection and Voltage Transient Protection
Material	Aluminum Alloy
Dimensions	Φ 278mm x H 435mm(Φ 10.94” x 17.12”)
Weight	Approx. 9 Kg (19.84 lb.)
Certification	IP67, IK10,ROHS,CE, FC

Note:Red text is to be confirmed

Ordering information

Camera	TD-8883IM (PE/WP/37M/AR30)	8MP 37X starlight IR 300m Network PTZ camera, with wiper, support smart tracking, AC24V/DC24V/PoE++, IP67,-40°C~65°C, including wall mount bracket & power adaptor.
	TD-8883IM (PE/37M/AR30)	8MP 37X starlight IR 300m Network PTZ camera, AC24V/DC24V/PoE++, IP67,-40°C~65°C, including wall mount bracket & power adaptor, without wiper.

Dimensions:



Unit: inch/mm

Accessories:

Included:



TD-YZJ0306A
Wall mounting bracket



MKAC-66-243000U(USA)
MKAC-66-243000V(EU)
MKAC-66-243000VB(UK)
AC24V /3A Power adaptor

Optional:



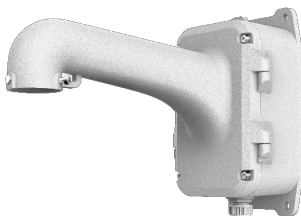
TD-YZJ0807
Pendent mounting bracket



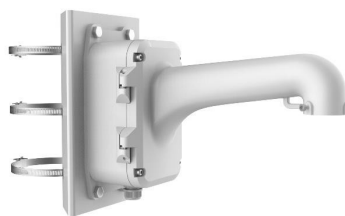
TD-YZJ0305+YZJ0501
Pole mounting bracket



TD-YZJ0305+YZJ0601
Corner mounting bracket



TD-YZJ0308-BOX
Wall mounting bracket



TD-YZJ0308-BOX-POLE
Pole mounting bracket



TD-YZJ0308-BOX-CORNER
Corner mounting bracket



LAS60-57CN-RJ45
50Watt PoE++ Midspan



ONV-POE34064PFM
60Watt PoE++ Switch



TD-K23
Network Keyboard

Shenzhen TVT Digital TECHNOLOGY CO.,LTD

Address: 23rd Floor, Block B4, Building No.9,Shenzhen Bay, Eco-Technology Park, Nanshan District, Shenzhen, Guangdong Province, P.R.China

Tel: +86-755-36995888

Fax: +86-755-33104777

Web site: <http://en.tvt.net.cn>

E-mail: overseas@tvt.net.cn