

37X 8MP Starlight 300m IR Smart Network PTZ



TD-8683IMN (PE/37M/AR30)



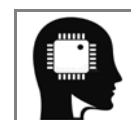
8MP



H.265



HDR10



1.5Tops AI



Smart tracking



300m



PoE++/DC/AC



IP67



Introduction:

TD-8683IMN(PE/37M/AR30) PTZ camera which adopts SONY latest 1/1.8 4K images sensor, with high quality 37x optical zoom lens, could deliver top-notch 3840x2160@30fps image details over a wide open area. The H.265 video compression reduces bit rate down to half of H.264 without loss. With its built-in 1.5Tops AI engine, the PTZ could detect and classify max 15 objects per scene. When any of them intrude restricted areas, the PTZ camera will trace, zoom fit in center of screen, snap and record and trigger alert. The tilt range of gimbals expands to 180° for continuous tracing fast object. The IR brightness is enhanced 250%, with F1.2 large aperture, which could detect human faces above 300m in a dim night. This PTZ conforms to the ONVIF specifications ensuring interoperability between network video products regardless of manufacturers, and also complies with NDAA 2019. The TD-8xxx series PTZ has full metal shield, built-in turbo fan, high power heater, and could work 7/24H in harsh outdoor weather. It even could cold start at -40°C. With its superior image quality, high performance, and strong protection, it could meet the demand of professional market of surveillance application.

Features:

- 1/1.8" SONY progressive scan CMOS
- Up to 3840x2160 resolution
- Mini illumination:
 - Color: 0.005 lux @ (F1.2 AGC ON)
 - 0 Lux with IR
- 37x optical zoom, P-IRIS
- WDR, 3D DNR, Smart IR 300m
- Smart H.265/ H.264+/H.264
- Intelligent video content analytics
- Smart tracking of human/vehicle
- Smart detection and perimeter protection
- ONVIF, API and SDK
- PoE++, DC24V, AC24V supply self-adaptive
- IP67/IK10,-50°C~70°C, Aluminum Alloy

Applications:

Wide range area intrusion, perimeter protection, such as parks, scenic spots, stations and large venues, industrial park

Specification:

Camera Module				
Image sensor	1/1.8"SONY latest progressive scan CMOS			
Mini. Illumination	Color: 0.005Lux @ (F1.2, AGC ON); B/W: 0.001Lux @ (F1.2, AGC ON); 0Lux with IR			
Image setting	Flip, Mirror, Saturation, Brightness, Contrast, Sharpness, AGC, etc. adjusted by client			
Shutter Speed	1/1 s – 1/100,000 s			
White Balance	Auto/Manual/Indoor/Outdoor			
Gain control	Auto/Manual			
Day & Night control	Auto/Manual/Black Ray* ¹			
Iris control	Auto/Manual			
SNR	≥55dB			
3D DNR	Auto/Manual			
AE Enhancement	BLC, HLC, WDR* ²			
Privacy Mask	24 areas, up to 8 mask in the same frame			
Picture overlay	Logo picture could be overlaid on video with 128x128pixels,24bits BMP format			
OSD overlay	max 15 characters/line, 8 lines, white or red font color			
Lens				
Focus length	f= 6 ~ 222mm lens,37x optical zoom			
Zoom Speed	Approx. 5.2s (optical zoom, wide-tele)			
Field of View	Horizontal:59° to 1.98°; Vertical: 34.14° to 1.12°; Diagonal: 67° to 2.27°(wide-tele)			
Working distance	wide: 1.0m ~ INF; tele: 1.5m ~ INF			
Iris type	P-IRIS, 6 blades, 210 Stop, F1.2 ~ F4.6 (wide-tele)			
IRCut Type	Removable IR filter, support black ray mode			
DORI distance	Detect	Observe	Recognize	Identify
	4032m(13228 f.t.)	1600m(5249 f.t.)	800m(2625 f.t.)	400m(1312 f.t.)
PTZ				
Pan Range	360°endless			
Pan speed	Configurable, from 0.1~240°/s; Preset speed: 240°/s			
Tilt Range	From -25° to 155° (auto-flip at 90°)			
Tilt Speed	Configurable, from 0.1°~ 180°/s, Preset speed: 180°/s			
Proportional Zoom	Yes			
Preset	360			
Cruise	8 cruises, up to 16 presets for each cruises			
Trace	4 traces, record time over 3 minutes for each trace			
Power off memory	Support			
Action mode	Preset/Cruise/Trace/Auto Scan/Random Scan			
3D Positioning	Support			
PTZ Position Display	Support			
Schedule Task	Preset/Cruise/Trace/Random Scan/Boundary Scanning /Dome reboot			
IR				
IR Distance	300m (984 f.t.), 10x IR LEDs			
Smart IR	Yes			
Network				
Max Resolution	3840x2160			
Main stream	50Hz: 25fps: 3840×2160,2560×1440,1920×1080,1280×960,1280×720, 60Hz: 30fps:3840×2160,2560×1440,1920×1080,1280×960,1280×720			
Sub stream	50Hz: 25fps: (704 × 576, 640 × 480, 352 × 288) ; 60Hz: 30fps (704 × 480, 640 × 480, 352 × 240)			
Third Stream	50Hz:25fps (1920 × 1080, 1280 × 960, 1280 × 720, 704 × 576, 640 × 480, 352 × 288) 60Hz:30fps (1920 × 1080, 1280 × 960, 1280 × 720, 704 × 480, 640 × 480, 352 × 240)			
Video compression	H.265/H.264+/H.264/MJPEG			
H.264 Standard	H.264/AVC codec BP/MP/HP, Level 5.1			
H.265 Standard	H.265/HEVC codec MP, level 5.0			

Video Bit Rate	64 Kbps to 16Mbps
Audio compression	G.711 A/U
Audio Bit Rate	64K bps
Protocols	HTTP, HTTPS, IPv4/IPv6, 802.1x, QoS, FTP, SMTP, UPnP, SNMP,DNS, DDNS, NTP, RTSP, RTCP, RTP, TCP/IP, UDP, DHCP, PPPoE
User / Host	Up to 16 users, 3 levels: Administrator, Advanced User and Normal User
Security Measures	User authentication (ID and PW), Host authentication (MAC address); HTTPS encryption, IEEE802.1x port-based network access control; IP address filtering
Smart Features	
Basic event	Motion detection, Video tampering alarm, Exception(Network disconnected, IP address conflict, SD full, SD error)
Face recognize	Detecting max 15 faces at same scene. Detecting, tracking, capturing
Road traffic	Vehicle detecting and tracking, etc.
Smart Detection	Tripwire, Bi-directional tripwire, Illegal intrusion detection, Region entrance detection, Region exiting detection, Unattended baggage detection, Object removal detection, etc.
Smart Tracking	Smart tracking of human or vehicle, auto/manual
System Integration	
Alarm Interface	2CH alarm input(Dry contact); 2CH alarm output
Audio Interface	1CH audio input, 2 to 2.4v[p-p] 1KΩ ±10%; 1CH audio output (line out), impedance: 600Ω
Alarm Linkage	Alarm actions, such as Preset, Cruise, Track, Memory Card Video Record, Trigger Recording, Notify Surveillance Center, Upload to FTP/Memory Card, Send Email, etc.
Network Interface	1 RJ45 10M/100M Adaptive Ethernet, Support PoE++
Storage	On-Body memory card slot, support microSD/SDHC/SDXC, up to 256G
RS 485	Pelco-D / P protocol, custom protocols available
BNC	One CVBS Conn.
Speaker & Mic	N/A
Reset button	Yes
Heater & Fan	Yes
Water removal	Remove water-drops by quick spinning
API	ONVIF, support TVT SDK and third-party management platform
Client	TVT N9000 1.4.5, TVT NVMS 2.0; and the third-party client
Web Browser	IE8-11
General	
Culture	16 languages: Czech; English, German ; Hungarian ; Italian ; Japanese ; Korean ; Portuguese, Polish; Russian, Romanian, Spanish; Spanish(Mexico);Simplified Chinese; Turkish; Traditional Chinese.
Power	DC24V,AC 24V±25%, PoE++ (802.3.bt, class 6), self-adaptive, max 48W (IR ON+PTZ working)
Working condition	-50°C ~ 70°C (-58°F ~ 158°F),Cold start at - 40°C(30minutes waiting), 90%RH
Storage condition	-40°C ~ 70°C ; ≤95% RH
Protection	IP67, 6000V Lightning Protection, Surge Protection and Voltage Transient Protection
Shield Material	Aluminum Alloy
Dimensions	Φ 219.9mm x H 358.5mm(Φ 8.7"x 14.1")
Net Weight	Approx. 6.0 Kg (13.22 lb.)
Certification	IP67,IK10(excluding glass window),ROHS, CE, FC

Note:

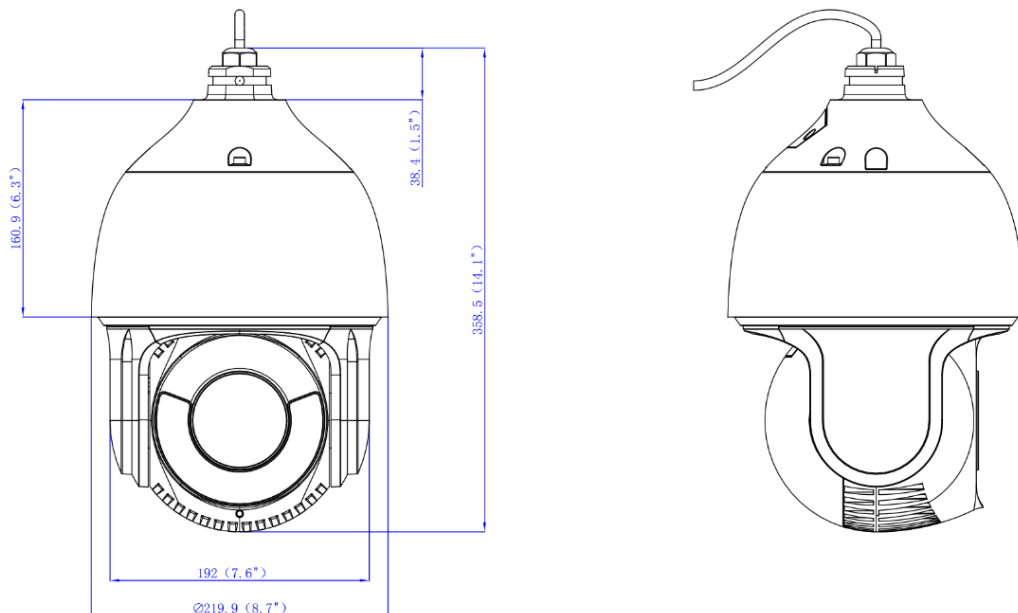
*1 Black ray: Enviromental light was cut(filtered),especially the car big lamp, only IR reflective image, clear and clean,TBC.

*2 WDR: high & low gain picture to fusion a WDR image, thus remove the blur of fast moving object at dim eniroment.TBC

Order information:

TD-8683IMN (PE/32M/AR30)	37X 8MP Starlight IR 300m 7-inch Smart Network PTZ camera,AC24V/DC24V/PoE++, IP67,-50°C~70°C,include wall mount bracket and AC24V/3A adaptor
-----------------------------	--

Dimension:



Unit: mm(inch)

Accessories

• Included:



TD-YZJ0308
Wall mounting bracket



MKAC-66-243000U(USA)
MKAC-66-243000V(EU)
MKAC-66-243000VB(UK)
MKAC-66-243000M(CN)
AC24V/3A Power adaptor

• Optional:



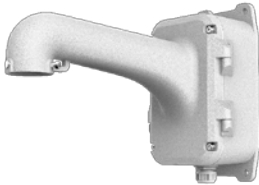
TD-YZJ0309
Pole mounting bracket



TD-YZJ0310
Corner Mounting bracket



TD-YZJ0807
Pendant mounting bracket



TD-YZJ0311
Wall mounting bracket with box



TD-YZJ0312
Pole mounting bracket with box



TD-YZJ0313
Corner mounting bracket with box



LAS60-57CN-RJ45
60Watt PoE++ Midspan



ONV-POE34064PFM
60Watt PoE++ Switch



TD-K23
PTZ Control Keyboard

Shenzhen TVT Digital Technology Co., LTD.

Address: 23rd Floor, Block B4, Building NO.9, Shenzhen Bay Eco-Technology Park, Nanshan District, Shenzhen, Guangdong Province, P.R. China

Tel: +86-755-36995888

Website: <http://en.tvt.net.cn>

Fax: +86-755-33104777

E-mail: overseas@tvt.net.cn