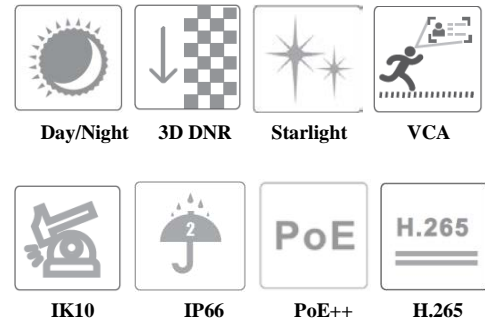


Outdoor 8x2MP Stitched 360° Panoramic Network IR Dome Camera



TD-6528M3(D/PE/AR2)



Features

- Eight 1080P video modules to stitch one 16MP, 360° surrounded video stream
- 16MP (4096×1800×2) resolution, 25/30fps real-time
- One IP address, One video interface, similar with one IPC, easy to learn, manage and deploy
- One Cable (PoE++), One bracket and One Panoramic camera, easy to install, reducing TOC(Total own cost)
- Advanced real-time stitching technology without geometry, brightness and color gap
- 6th gen Starlight & HDR technology (0.008lux@F2.0 AGC on) provides vivid color at most scenarios.
- 360°(H)×90°(V) circular IR illumination, up to 20m in radius.
- Programmable VCA: human/vehicle detection, intrusion, line crossing, etc.
- 4Tops Deep-learning AI engine, 8Gb DDR for more AI algorithm updates.
- Alarm driven by multi-rules: line crossing, intrusion, device error, etc.
- ONVIF specifications, interoperability between network video products regardless of manufacturer
- Full Interface: RJ45, SD Card, Alarm, Audio, Reset
- - 30°C~55°C (-22 °F ~ 131 °F), Built-in heater and fan, IP66 waterproof, IK10, Metal case.
- Support PoE++(802.3.bt, class6) and DC24V / AC24V
- Support Virtual reality (VR) linkage, e-tags, e-map application with TVT VMS

Application

Install about 4-6m height outdoor/indoor to cover a large area with 20m in radius. It is suitable for large public area safety, such as Subway station, Airport, Cathedral, City mall, Plaza, School, Conference center, etc.

Specifications

Camera Module	
Image sensor	1/2.8" progressive scan CMOS image sensor x8
Mini. Illumination	Color : 0.008Lux @ (F2.0,AGC ON) ; B/W : 0.008Lux @(F2.0 , AGC ON);0Lux with IR
Image setting	Image vertical rotation,Saturation, Brightness, Contrast, Sharpness, AGC, and AWB adjusted by client software/browser
Shutter Speed	1/1 s – 1/100,000 s
White Balance	Auto/Manual/Indoor/Outdoor
Gain	Auto/Manual
Day & Night	IR Cut filter
Privacy Mask	8 Programmable privacy masks
Image Enhancement	3D DNR, Digital zoom, Logo picture Overlay
Vertical Rotation	Manual adjustment, 8 pitches, 45°per pitch
Lens	
Focus length	3.3mm,x8
Aperture	F2.0
FOV	Panoramic image: Horizontal FOV: 2x180°(360°) ; Vertical FOV: 85°
Working distance	1.0m ~ INF
IR	
IR Range	20m in radius,360°(H) ×90°(V)
Smart IR	Yes
Network	
Max Resolution	8192 ×1800, 25/30fps
Main stream	8192 ×1800 , 3840 × 1680 , 2784 × 1200 (1~30fps)
Sub stream:	2048 × 896, 1280 × 560 , 704 × 320 (1~30fps)
Third stream:	704 × 320 (1~30fps)
Video compression	H.265/H.264/MJPEG
Audio compression	G.711 A/U
Protocols	HTTP, HTTPS, IPv4/IPv6, 802.1x, QoS, FTP, SMTP, UPnP, SNMP,DNS, DDNS, NTP, RTSP, RTCP, RTP, TCP/IP, UDP, DHCP, PPPoE
Simultaneous live view	Up to 6 channels
User / Host	Up to 16 users, 3 levels: Administrator, Advanced User and Normal User
Security Measures	User authentication (ID and PW), Host authentication (MAC address); HTTPS encryption, IEEE802.1x port-based network access control; IP address filtering
Smart Features	
Basic event	Motion detection, video tampering alarm, exception (network disconnected, IP address conflict, SD full, SD error)
Smart Detection	Up to 8 regions configurable: Human/vehicle detection and classification, Face comparison, Intrusion detection, Line crossing detection, Region entrance detection, Region exiting detection, Scene change detection, etc.
ROI	Up to 4 regions configurable
Alarm Linkage	Upload to FTP/Memory card, send email, trigger alarm output, trigger recording, trigger snapshot
System Integration	
Alarm Interface	1CH alarm input; 1CH alarm output
Audio Interface	1CH audio input, 2 to 2.4v[p-p] 1kΩ±10%; 1CH audio output (line out), impedance: 600Ω
Network Interface	1 RJ45 10M/100M/1000M Adaptive Ethernet (Support PoE+(802.3.bt,class 6))
Storage	Built-in memory card slot, support microSD/SDHC/SDXC, up to 256G
API	ONVIF, support TVT SDK and third-party management platform

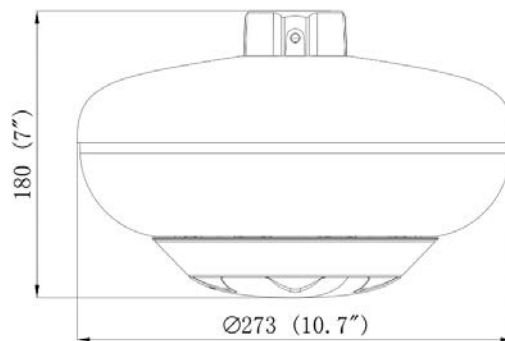
Client	TVT NVR N9000 1.4.6, TVT NVMS 2.0(Support VR, e-Tag, e-map application)
Web Browser	IE8-11
General	
Power	AC24V,DC24V,PoE++ (802.3.bt, class 6), (Max 45W, include IR on, Fan on and Heater on)
Working condition	-30°C ~ 55°C (-22 °F ~ 131 °F),90%RH less (non-condensing),Cold start at - 20°C
Storage condition	-40°C ~ 70°C ≤ 95% RH
Protection	IP 66, IK10, 6000V Lightning Protection, Surge Protection and Voltage Transient Protection
Material	Camera body: Aluminum Alloy; Bubble and IR cover: Plastic
Dimensions	Φ 273mm x H 180mm(Φ 10.7" x 7")
Weight	Net weight Approx. 2.0Kg(4.4 lb)
Certification	IK10(exclude plastic cover), IP66,ROHS, CE, FC

Ordering Information

Camera	TD-6528M3(D/PE/AR2)	Outdoor 8x2MP Stitched 360° Panoramic Network IR Dome Camera, with power adaptor, bracket, IP66/IK10
--------	---------------------	--

Dimension

Unit: mm (inch)



Accessories

Includes:



MKAC-76-243000M
AC24V/3A Power Adapter



TD-YZJ0807
Ceiling Mount

Optional:

IR-LED illumination enabled:



TD-YZJ0314
Wall mounting bracket (1m)



TD-YZJ0315
Pole mounting bracket (1m)



TD-YZJ0316
Corner mounting bracket (1m)

IR-LED illumination Disabled:



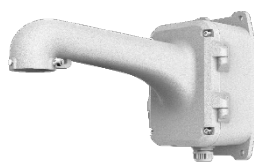
TD-YZ0308
Wall mounting bracket (35cm)



TD-YZ0309
Pole mounting bracket (40cm)



TD-YZ0310
Corner mounting bracket (50cm)



TD-YZJ0311
Wall mounting bracket (40cm)
with junction box



TD-YZJ0312
Pole mounting bracket (45cm)
with junction box



TD-YZJ0313
Corner mounting bracket (55cm)
with junction box

*Common PTZ brackets are not recommended for this product.

Please contact your local sales for more information about production details.

Shenzhen TVT Digital Technology Co., LTD.

Address: 23rd Floor, Block B4, Building NO.9, Shenzhen Bay Eco-Technology Park, Nanshan District, Shenzhen,
Guangdong Province, P.R. China

Tel: +86-755-36995888

Website: <http://en.tvt.net.cn>

Fax: +86-755-33104777

E-mail: overseas@tvt.net.cn