

4MP 25X Starlight Smart-tracking PTZ Camera



TD-8543IE2N (PE/25M/AR12)



4MP



Starlight



VCA



Smart-tracking



Perimeter



PoE++



IP66



SmartIR



System

TD-8543IE2N(PE/25M/AR12) PTZ camera which adopts BSI+NIR images sensor, with high quality 25x optical zoom lens, could deliver top-notch 2560x1440@30fps image details over a wide open area. The H.265 video compression reduces bit rate down to 50% of H.264 without loss. With its built-in 1.5Tops AI engine, the PTZ camera could detect and classify max 15 objects per scene. When any of them intrude restricted area, the PTZ camera will trace, zoom fit in center of screen, snap and record and trigger alert. The gimbal is improved for tracing fast object. The IR brightness is enhanced 200%, which improves night vision distance above 120m. This PTZ conforms to the ONVIF specifications ensuring interoperability between network video products regardless of manufacturers, and also complies with NDAA 2019. This series of PTZ has enhanced body material, built-in turbo fan and heater and is designed for 7/24H work in outdoor weather. This series has also added alarm and audio interface. With excellent picture quality and good protection, the camera could meet the demand of professional surveillance application.

Key Spec:

- 1/2.7" progressive scan CMOS
- Up to 2560x1440 resolution
- Mini illumination:
 - Color: 0.01 lux @ (F1.65 AGC ON)
 - B/W: 0.002 lux@ (F1.65 AGC ON)
 - 0 Lux with IR
- 25x optical zoom, Accurate and fast focusing
- WDR, 3D DNR, Smart IR
- Up to 120m IR distance
- H.265+/H.265/H.264+/H.264 video compression
- Intelligent Video content analytics
- IP66,-30 ℃~60 ℃, Aluminum Alloy &Plastic
- Stealth gimbal driving technology
- PoE+ (802.3.bt, class 6) and DC24V/AC24V
- ONVIF, API and SDK
- Mobile surveillance app: iOS and Android,P2P

Application:

Wide range area intrusion, perimeter protection and alarm, such as parks, scenic spots, stations and venues, industrial park.

SPECIFICATION:

Camera Module					
Image sensor	1/2.7" progressive scan CMOS, BSI, NIR+				
Mini. Illumination	Color: 0.01Lux @ (F1.65, AGC ON); B/W: 0.002Lux @ (F1.65, AGC ON); 0Lux with IR				
Image setting	Flip, Mirror, Saturation, Brightness, Contrast, Sharpness, AGC, etc. adjusted by client				
Shutter Speed	50Hz: 1/25s ~ 1/25,000s; 60Hz: 1/30s ~ 1/30,000s				
White Balance	Auto/Manual/Indoor/Outdoor				
Gain control	Auto/Manual				
Day & Night control	Auto/Manual ,time schedule				
Iris control	Auto/Manual				
SNR	≥52dB				
3D DNR	Auto/Manual				
AE Enhancement	BLC, HLC, WDR				
Privacy Mask	4 areas, up to 8 per request				
Picture overlay	Logo picture could be overlaid on video with 128x128pixels,24bits BMP format				
OSD overlay	Max 15 characters/line, 8 lines, white or red font color				
Lens					
Focus length	f=4.8-120mm lens,25x optical zoom				
Zoom Speed	Approx. 3.6s (optical zoom, wide-tele)				
Field of View	Horizontal: 55 °~2.4 °±5%; Vertical: 33 °~ 1.4 °±5%; Diagonal: 61.5 °~ 2.8 °±5% (wide-tele)				
Working distance	Wide: 1.0m ~ INF; tele: 1.5m ~ INF				
Aperture Range	F1.65 ~ F3.8 (wide-tele)				
Iris type	DC-IRIS, 16 Stops				
IRCut type	Removable IRCut filter				
DORI distance	Focus length	Detect(25px/m)	Observe(63px/m)	Recognize(125px/m)	Identify(250px/m)
	f=4.8mm	96m(315 f.t.)	38m(124.7 f.t.)	19.2m(63 f.t.)	9.6m(31.5 f.t.)
	f=120mm	2200m(7218 f.t.)	873m(2864.3 f.t.)	440m(1443.6 f.t.)	220m(721.8 f.t.)
PTZ					
Pan Range	360 °endless				
Pan speed	Configurable, from 0.1~80 %s; Preset speed: 150 %s				
Tilt Range	From -3 ° to 90 °				
Tilt Speed	Configurable, from 0.1 ~ 80 %s, Preset speed: 120 %s				
Proportional Zoom	Yes				
Preset	360				
Cruise	8 cruises, up to 16 presets for each cruises				
Trace	4 traces, record time over 3 minutes for each trace				
Power off memory	Support				
Action mode	Preset/Cruise/Trace/Auto Scan/Random Scan				
3D Positioning	Support				
PTZ Position Display	Support				
Schedule Task	Preset/Cruise/Trace/Random Scan/Boundary Scanning /Dome reboot				
IR					
IR Distance	Beyond 120m				
Smart IR	Yes				
Network					
Max Resolution	2560 × 1440				
Main stream	50Hz: 25fps: 2560×1440,1920×1080,1280×960,1280×720; 60Hz: 30fps: 2560×1440,1920×1080,1280×960,1280×720				
Sub stream	50Hz: 25fps: (704 × 576, 640 × 480, 352 × 288); 60Hz: 30fps (704 × 480, 640 × 480, 352 × 240)				
Third Stream	50Hz:25fps (1920 × 1080, 1280 × 960, 1280 × 720, 704 × 576, 640 × 480, 352 × 288) 60Hz:30fps (1920 × 1080, 1280 × 960, 1280 × 720, 704 × 480, 640 × 480, 352 × 240)				
Video compression	H.265+/H.265/H.264+/H.264/MJPEG				

H.264 Standard	H.264/AVC codec BP/MP/HP, Level 5.1
H.265 Standard	H.265/HEVC codec MP, level 5.0
Video Bit Rate	64Kbps to 8Mbps
Audio compression	G.711 A/U
Audio Bit Rate	64K bps
Protocols	HTTP, HTTPS, IPv4/IPv6, 802.1x, QoS, FTP, SMTP, UPnP, SNMP,DNS, DDNS, NTP, RTSP, RTCP, RTP, TCP/IP, UDP, DHCP, PPPoE
Simultaneous live view	Up to 6 channels
User / Host	Up to 16 users, 3 levels: Administrator, Advanced User and Normal User
Security Measures	User authentication (ID and PW), Host authentication (MAC address); HTTPS encryption, IEEE802.1x port-based network access control; IP address filtering
Smart Features	
Basic event	Motion detection, Video tampering alarm, Exception(Network disconnected, IP address conflict, SD full, SD error)
Face recognize	Default off; Detecting max 15 faces at same scene. Detecting, tracking, capturing
Road traffic	Vehicle detecting and tracking
Smart Detection	Tripwire, Bi-directional tripwire, Illegal intrusion detection, Region entrance detection, Region exiting detection, etc. More VCA per request
Smart Tracking	Smart tracking of human or vehicle, auto/manual
System Integration	
Alarm Interface	1 Alarm input; 1 Alarm output
Audio Interface	1 audio input(MIC in); 1 audio output, line level, impedance,600Ω
Alarm Linkage	Alarm actions, such as Preset, Cruise, Track, Memory Card Video Record, Trigger Recording, Notify Surveillance Center, Upload to FTP/Memory Card, Send Email, etc.
Network Interface	1 RJ45 10M/100M Adaptive Ethernet (Support PoE 802.3.bt)
SD Card Slot	One MicroSD slot, up to 256G
RS 485	N/A
BNC	N/A
Speaker	N/A
Reset button	Yes
Heater	Yes
Fan	Yes
Water removal	Remove water-drops by quick spinning, blow hot air to glass to remove frost, ice
API	ONVIF, support TVT SDK and third-party management platform
Client	TVT N9000 1.4.5, TVT NVMS 2.0; and the third-party client
Web Browser	IE8-11
General	
Languages	Czech; English, German; Hungarian; Italian; Japanese; Korean; Portuguese, Polish; Russian, Romanian, Spanish; Spanish(Mexico); Simplified Chinese; Turkish; Traditional Chinese.
Power Supply	DC24V, AC24V or PoE++ (802.3.bt, class 6), (Max 34W, include IR, Heater, Fan working, max 12W for IR)
Working condition	-40 ℃ ~ 60 ℃ (-40 ℉ ~ 140 ℉), Cold start at - 30 ℃(30minutes waiting); 90%RH
Storage condition	-40℃ ~ 65℃ ; ≤ 95% RH
Protection	IP66, 6000V Lightning Protection, Surge Protection and Voltage Transient Protection
Material	Aluminum Alloy + Plastic
Dimensions	Φ 196mm × 317mm (7.7 inch Φ × 12.5 inch)
Weight	Approx. 3.7 Kg (8.31 lb.)
Certification	IP66,ROHS,CE,FC

Ordering information

4MP PTZ	TD-8543IE2N(PE/25M/AR12)	4MP 25X Starlight IR 120m Network Smart-tracking PTZ Camera, IP66,DC24V/AC24V/PoE++,NDAА compliant,not include power adaptor & bracket
---------	--------------------------	--

Accessories(Optional):



TD-YZJ0808
Wall mounting bracket



TD-YZJ0808+TD-YZJ0501
Pole mounting bracket



TD-YZJ0808+TD-YZJ0601
Corner mounting bracket



TD-YZJ0807
Pendant mounting bracket



TD-YZJ0311
Wall mounting bracket w/ junction box



TD-YZJ0312
Pole mounting bracket w/ junction box



TD-YZJ0313
Corner mounting bracket w/ junction box



FJ-SW20172402500
DC24V2.5A Power adaptor



LAS60-57CN-RJ45
60Watt PoE+ Midspan

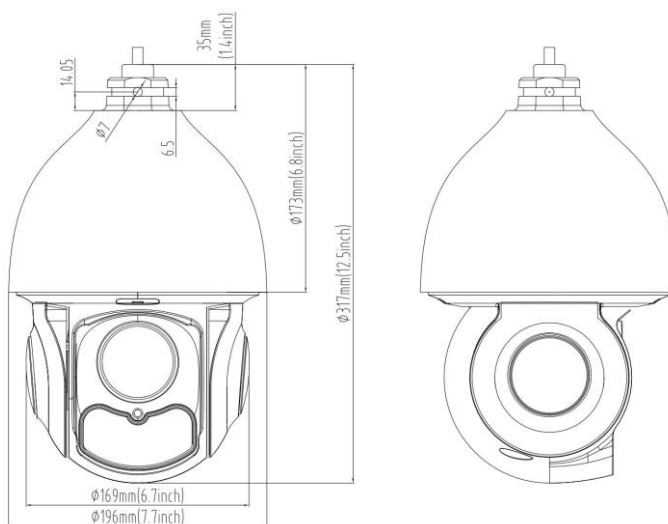


ONV-POE34064PFM
60Watt PoE+ Switch



TD-K23
PTZ control keyboard

Dimensions:



* All pictures and texts are for reference only. Actual product may vary due to product enhancement.

Shenzhen TVT Digital TECHNOLOGY CO.,LTD

Address: 23rd Floor, Block B4, Building No.9,Shenzhen Bay, Eco-Technology Park, Nanshan District, Shenzhen, Guangdong Province, P.R.China

Tel: +86-755-36995888

Web site: <http://en.tvt.net.cn>

Fax: +86-755-33104777

E-mail: overseas@tvt.net.cn