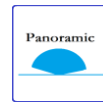


2x4MP 180° Panoramic Network Full color Camera



180°FOV



8MP



VCA



Perimeter



F1.2



Voice



PoE/DC12V



IP67

TD-6242E3N(A/PE/WR2)



Features:

- Dual 4MP video modules to stitch one 8MP camera
- Wide angle coverage: 180°H x 65° V , equals to 2pcs of 2.8mm IPC
- support ±75° flip.
- 6.5m x 13m coverage for AI detection and capture human face, 25mx50m for AI detection invaders.
- max 8MP real-time, with H.265/264 encoder.
- Starlight technology, with F1.0 large aperture lens, white light illuminators, provide 24Hours color image.
- auto switch to white-light (under 0.3lx), 4pcs white LEDs with warm yellow.
- Warm white light supplement in pitch black for eye safety.
- AI-assistant human invader detection, 1.5TOPS high computing power, mor than 15 persons per scene.
- ONVIF specifications, interoperability between network video products, regardless of manufacturer
- Rich Interface: RJ45, SD Card, Alarm, Audio
- Built-in MIC &speaker, dual-way voice conversation.
- Full metal body, IP67 water ingress, IK10 vandal-proof,6KV lightning protection, indoor/outdoor
- One RJ45 Network cable, built-in bracket, quick deployment
- One IP address, easy configuration and management
- Support both PoE and DC12V, Low power design , directly connected to PoE NVR.
- Confirms to data protection regulations of major countries.

Application:

High-level security and surveillance application of area intrusion, perimeter protection, which requires no blind zone and full color at 7x24H, such as jail, electric center, bank, jewelry store, medicine store, micro-electronics and semiconductor lab, biological and chemical lab. Suggestion installation height: 2.8m-5m.

SPECIFICATION:

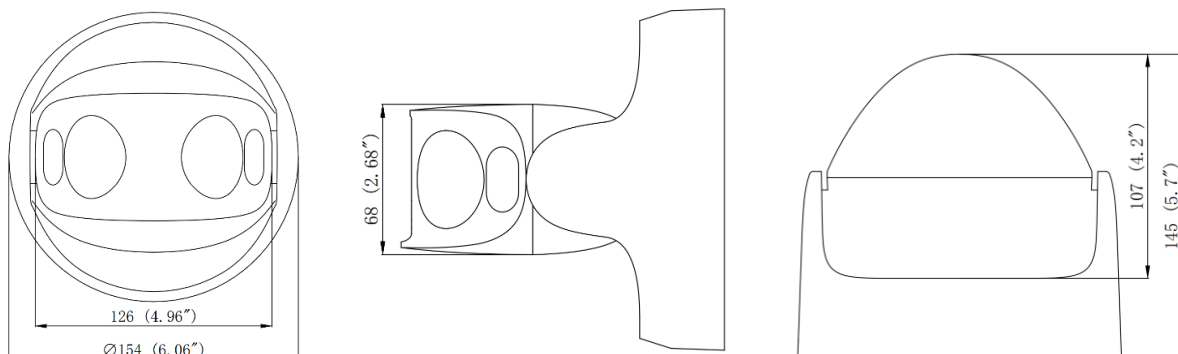
| Camera Module | | | | | |
|-------------------------|--|-------------------|-------------------|--------------------|-------------------|
| Image sensor | 1/2.5" progressive scan CMOS sensor ,x2pcs | | | | |
| Max resolution | 4320x1680 | | | | |
| Mini. Illumination | Color: 0.3Lux @ (F1.0, IRE 50); B/W:0.015lux@(F1.0,IRE 50); 0 Lux with white LED | | | | |
| Image setting | Saturation, Brightness, Contrast, Sharpness, AGC, etc. adjusted by client | | | | |
| Shutter Speed | 50Hz: 1/25 s – 1/25,000 s; 60Hz: 1/30s-1/30,000 | | | | |
| White Balance | Auto/Manual/Indoor/Outdoor | | | | |
| Gain control | Auto/Manual | | | | |
| Day & Night control | Auto/Manual ,time schedule | | | | |
| Iris control | Auto/Manual | | | | |
| SNR | ≥52dB | | | | |
| 3D DNR | Auto/Manual | | | | |
| AE Enhancement | BLC, HLC, DWDR | | | | |
| Digital zoom | 8x | | | | |
| Electronical Stabilizer | N/A | | | | |
| Optical Defog | N/A | | | | |
| Privacy Mask | 8 areas, up to 8 mask in the same frame | | | | |
| EIS | N/A | | | | |
| Picture overlay | Logo picture could be overlaid on video with 128x128pixels,24bits JPG format | | | | |
| OSD overlay | max 15 characters/line, 8 lines, white or red font color | | | | |
| Angle Adjustment | Vertical -5~+5°; Rotation ±75° | | | | |
| Lens | | | | | |
| Focus Type | f=3.5mm, M12 mount, optical distortion <15%; x 2 sets. | | | | |
| Image distance | 1m-inf | | | | |
| Aperture | F1.0 | | | | |
| IRCUT type | White light pass only | | | | |
| DORI distance | Focus length | Detect(25px/m) | Observe(63px/m) | Recognize(125px/m) | Identify(250px/m) |
| | f=3.5mm | 63.65m (295 f.t.) | 25.26m (117 f.t.) | 12.73m(39 f.t.) | 6.36m(29.5 f.t.) |
| Panoramic | | | | | |
| Stitching FOV | Horizontal FOV:180°±5%; Vertical FOV: 65°±5% | | | | |
| Stitching Method | Alpha-Blending | | | | |
| Supplement light | | | | | |
| Distance | 20m | | | | |
| Type | Warm white light | | | | |
| Smart Brightness | Yes, facial priority | | | | |
| Network | | | | | |
| Main stream | 1~21fps: 8M(4320x1680),6M(4096x1536),3M(2680x1080), 1.3M(1920x720) | | | | |
| Sub stream | 1~30fps: (1280 x 480, 640 x 240, 480 x 160); | | | | |
| Third Stream | 1~30fps: (1920x720,640 x 240, 480 x 160) | | | | |
| Video compression | H.265+/H.265/H.264+/H.264/MJPEG | | | | |
| H.264 Standard | H.264/AVC codec BP/MP/HP, Level 5.1 | | | | |
| H.265 Standard | H.265/HEVC codec MP, level 5.0 | | | | |
| Video Bit Rate | 64 Kbps to 16Mbps | | | | |
| Audio compression | G.711 A/U | | | | |
| Audio Bit Rate | 64K bps | | | | |
| Audio enhancement | N/A | | | | |
| Protocols | HTTP, HTTPS, IPv4/IPv6, 802.1x, QoS, FTP, SMTP, UPnP, SNMP,DNS, DDNS, NTP, RTSP, RTCP, RTP, TCP/IP, UDP, DHCP, PPPoE,P2P | | | | |
| User / Host | Up to 16 users, 3 levels: Administrator, Advanced User and Normal User | | | | |
| Security Measures | User authentication (ID and PW), Host authentication (MAC address); HTTPS encryption, IEEE802.1x port-based network access control; IP address filtering | | | | |
| API | ONVIF A/G/Q/S/T, support TVT SDK and third-party management platform | | | | |
| Client | TVT N9000 1.5.0, TVT NVMS 2.0; and the third-party client, free iOS and Android App | | | | |
| Web Browser | IE8-11 with plug-in; Edge, Chrome, Firefox with plugin free | | | | |
| Smart Features | | | | | |

| | |
|---------------------------|--|
| Basic event | Motion detection, Video tampering alarm, Exception(Network disconnected, IP address conflict, SD full, SD error) |
| Face recognize | (Default off) Face detection, capturing, comparison, upload. Max 15 faces per scene |
| Counting | People/Vehicles flow/density/heat map |
| Smart Detection | Human or vehicles: Tripwire, Bi-directional tripwire, Illegal intrusion detection, Region entrance detection, Region exiting detection .etc. More VCA per request. |
| Object property | Human :gender, clothes, hat, eye-glass; vehicle :model, color, etc.(ver 5.1.3 and later) |
| System Integration | |
| Alarm Interface | 1 Alarm input(Dry contact); 1 Alarm output |
| Alarm Linkage | Upload to FTP/memory card, notify surveillance center, send email, trigger alarm output, trigger recording, trigger capture |
| Audio Interface | 1 audio input, line level, 2.0-2.4Vpp,impedance 1KΩ; 1 audio output, line level, impedance,600Ω |
| Built-in Speaker & Mic | 1Mic,1Speaker |
| Predefined voice | Max 10 voice track |
| Dual-way talk | Default built-in speaker and mic . Manual switch to ext. audio |
| Network Interface | 1 RJ45 10M/100M Adaptive Ethernet |
| SD Card Slot | One MicroSD slot and chamber, up to 256G |
| RS 485 | N/A |
| BNC | N/A |
| Reset button | Yes |
| Heater & Fan | N/A |
| Water removal | Lotus anti-water lens cover coating |
| General | |
| languages | Czech; English, German ; Hungarian ; Italian ; Japanese ; Korean ; Portuguese, Polish; Russian, Romanian, Spanish; Spanish(Mexico); Simplified Chinese; Turkish; Traditional Chinese, etc. |
| Power supply | DC12V±15% max 0.9A; PoE (802.3.af,class 3), Class 3, 36 V to 57 V, 0.35 A to 0.22 A, max12.5 W |
| Working condition | -40°C~60°C (-40°F ~ 140°F) IR off; Cold start>=-30°C(1 hour waiting); 90%RH |
| Storage condition | -40°C ~ 70°C ; ≤ 95% RH |
| Shield Material | Main body: Aluminum Alloy (ADC12), Glass Cover: Polycarbonate, Other: PC+GF15% |
| Weight& Dimensions | Approx. 1.3 Kg, Ø154mm x 145mm |
| Protection | 6000V Lightning Protection, Surge Protection and Voltage Transient Protection |
| EMC safety | FCC,CE,KC, UKCA, 3C,BIS |
| Chemistry safety | ROHS, REACH, WEEE |
| Water/Impact safety | Water Ingress:IP67(excluding speaker), Vandal-proof:IK10 (including lens cover) |
| Eye Safety | IEC/EN 62471 |

Ordering information:

| | |
|----------------------|---|
| TD-6242E3N(A/PE/WR2) | 2x4MP Stitching 180° Panoramic Full-Color Network Camera, MIC&speaker, IP67/IK10,DC12V/PoE,not include 12V power adaptor. |
|----------------------|---|

Dimensions(mm/inch):



Accessories:

● Included:



Fast mounting adaptor



● optional:



DC12V2.5A
Power adaptor



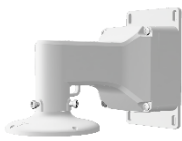
TD-YZJ0217
Wall mounting bracket



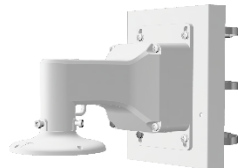
TD-YZJ0217+TD-YZJ0502
Pole mounting bracket



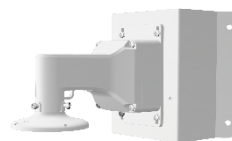
TD-YZJ0217+TD-YZJ0601
Corner mounting bracket



TD-YZJ0218
Wall mounting bracket
with junction box



TD-YZJ0218+TD-YZJ0501
Pole mounting bracket
with junction box



TD-YZJ0218+TD-YZJ0601
Corner mounting bracket
with junction box



YXH0303+YZJ0812
Pendant mounting bracket

* All pictures and texts are for reference only. Actual product may vary due to product enhancem

Shenzhen TVT Digital TECHNOLOGY CO.,LTD

Address: 23rd Floor, Block B4, Building No.9,Shenzhen Bay, Eco-Technology Park, Nanshan District, Shenzhen, Guangdong Province, P.R.China

Tel: +86-755-36995888

Web site: <http://en.tvt.net.cn>

Fax: +86-755-33104777

E-mail: overseas@tvt.net.cn