

2MP 25X/32X/40X IR PoE AI PTZ Dome Camera



TD-8523IE3N(PE/25M/AR30)
 TD-8523IE3N(PE/32M/AR30)
 TD-8523IE3N(PE/40M/AR40)



HDR



1080P



VCA



Smart tracking



Perimeter



PoE+



IP67



300m-400m



System:

TD-8523IE3N, the 3rd gen 5inch AI PTZ camera series, which adopts a high quality 25x, 32x or 40x optical zoom lens, and high computing AI SOC, could deliver top-notch 1920 ×1080@30fps image details over a wide open area. The PTZ camera can detect max 15 objects per scene and classify human/vehicles from 600m to 1000m in radius. When any of them intrude restricted area, the camera will trace, zoom fit in center of screen, snap and record and trigger alarms until object disappeared, greatly improving surveillance efficiency.

The 5inch Gen3 PTZ improves many aspects to further utilize AI capacity. The revised gimbal system is up to 360°/s, which could automatically track express fast large objects at 300km/h within several miles distance. The rotation mechanics is enforced to endure over 10 millions times for long-time heavy usage. The 3rd gen PTZ adopts black-ray image and new stacked IR technology, which filter all the intrusive lights and focusing on human and vehicles themselves, thus it could track and recognize human details within hundreds of meters, challenging the most complex environment, whatever it is bright sun-shrine or in pitch black, snowy or rainy, strong headlights of cars and street lamps, etc.

With competitive price, excellent picture quality and strong protection, the camera could meet the demand of 7×24Hour working in harsh weather for professional surveillance market.

Key Spec:

- Ultra fast rotation and tracking speed and over 10millions of tracking life circles.
- Superior low light performance
- Long IR supplement light distance
- 1.5Tops Deep-learning engine, support human/vehicles detection, auto-tracking
- IP67 Water immersion /true IK10 glass/6KV Surge protection,7x24H harsh weather
- Stable supply-chain, long product life circle
- Confirms to data protection regulations of major countries.

Application:

Wide range area intrusion, perimeter protection and alarm and smart-tracking: such as airport, express way, parks, scenic spots, stations and venues, industrial park. Suggestion installation: at 5-10m in height.

SPECIFICATION:

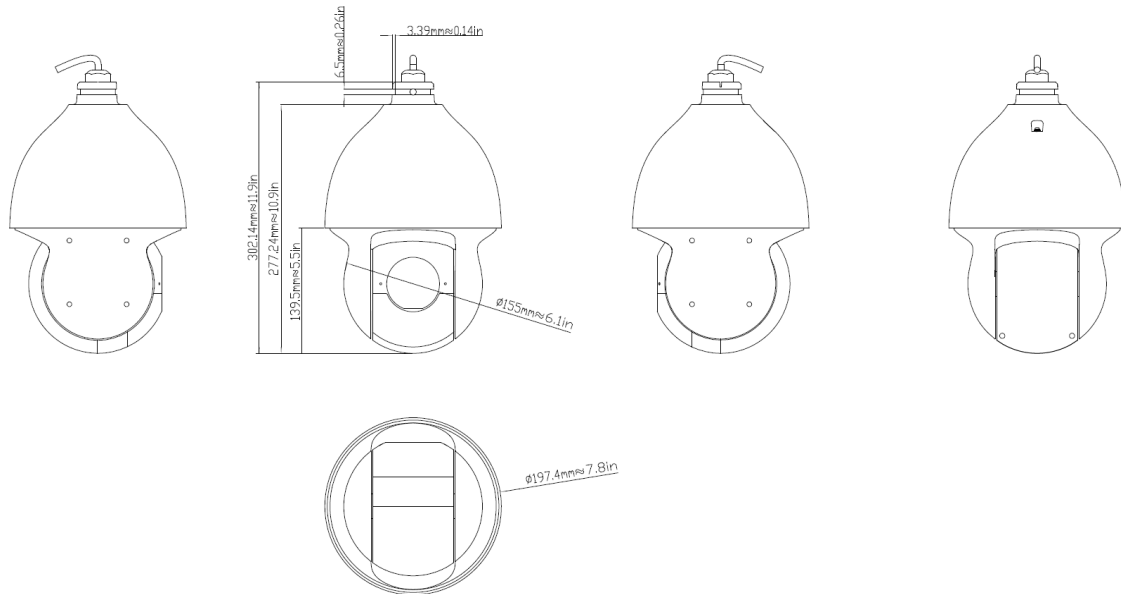
Camera Module	TD-8523IE3N(PE/25M/AR30)	TD-8523IE3N(PE/32M/AR30)	TD-8523IE3N(PE/40M/AR40)				
Image sensor	1/2.8" progressive scan CMOS image sensor, BSI and NIR++, dual gain						
Max resolution	1920×1080						
Mini. Illumination	Color: 0.00125Lux@(F1.55, AGCON) B/W: 0.00025Lux@(F1.55, AGC ON); 0 Lux with IR	Color: 0.00125Lux@(F1.65, AGCON) B/W: 0.00025Lux@(F1.65, AGC ON); 0 Lux with IR	Color: 0.001 Lux@(F1.2, AGC ON); B/W: 0.0002Lux@(F1.2, AGC ON); 0 Lux with IR				
Image setting	Flip, Mirror, Saturation, Brightness, Contrast, Sharpness, AGC, etc. adjusted by client						
Shutter Speed	60Hz: 1/30s – 1/30,000s@30fps; 50Hz: 1/25s~1/25,000s@25fps						
White Balance	Auto/Manual/Indoor/Outdoor						
Gain control	Auto/Manual						
Day & Night control	Auto/Manual, time schedule						
Iris control	Auto/Manual						
SNR	≥52dB						
3D DNR	Auto/Manual						
AE Enhancement	BLC, HLC, WDR						
Digital Zoom	8X						
EIS	N/A						
Privacy Mask	4 mask areas(ver5.1.1)						
Picture overlay	Logo picture could be overlaid on video with 128×128pixels, 24bits format						
OSD overlay	Max 15 characters/line, 8 lines, white or red font color						
Lens	TD-8523IE3N(PE/25M/AR30)	TD-8523IE3N(PE/32M/AR30)	TD-8523IE3N(PE/40M/AR40)				
Focus length	f=4.8-120mm, 25x optical zoom	f=4.8-154mm, 32x optical zoom	f=4.5-180mm, 40x optical zoom				
Zoom Speed	Approx. 3.6s	Approx. 4.4s	Approx. 5.2s				
Field of View (W-T,±5%)	Horizontal: 57.6° ~ 2.5° ; Vertical: 34.4° ~ 1.4° ; Diagonal: 64.5° ~2.9°.	Horizontal: 59.38° ~ 2.28° ; Vertical: 35.74° ~ 1.29° ; Diagonal: 66.28° ~2.61° ;	Horizontal: 59.1° ~1.8° ; Vertical: 38.4° ~ 1.1° ; Diagonal: 6.9° ~ 2.1°				
Image distance	Wide: 1.0m ~ INF; tele: 1.5m ~ INF						
Aperture Range	F1.55~F3.8(W-T)	F1.65-F4.70(W-T)	F1.2-F3.5(W-T)				
Iris Type	DC_IRIS						
IRCut type	Removable IRCF, absorbing type	Removable IRCF, reflection type	Removable IRCF, absorbing type				
DORI Dist.	Focus length	f=4.8mm	f=120mm	f=4.8mm	f=154mm	f=4.5mm	f=180mm
	Detect	73.5m(241.1 f.t.)	1517.4m(4978f.t.)	73.5m(241.1 f.t.)	1912.6m(6275 f.t.)	68.7m(225.4 f.t.)	2477m(8126.6f.t.)
	Observe	29.2m(95.7 f.t.)	602.2m(1975.7f.t.)	29.2m(95.7 f.t.)	759.1m(2490.6f.t.)	27.3m(89.4 f.t.)	990.8m(3250.7f.t.)
	Recognize	14.7m(48.22 f.t.)	303.4m (995.4 f.t.)	14.7m(48.22 f.t.)	382.5m(1254.9f.t.)	13.7m(45.08f.t.)	495.4m(1625.3f.t.)
	Identify	7.35m(24.11 f.t.)	151.7m (497.7 f.t.)	7.35m(24.11 f.t.)	191.3m(627.5f.t.)	6.9m(22.54 f.t.)	247.7m(812.7 f.t.)
PTZ							
Pan Range	360°endless						
Pan speed	Configurable, from 0.1~360°/s; Preset speed: 330°/s						
Tilt Range	From -25° to 155°, auto flip at 90°						
Tilt Speed	Configurable, from 0.1°~210°/s, Preset speed: 180°/s						
Proportional Zoom	Yes						
Preset	360						
Cruise	8 cruises, up to 16 presets (ver5.1.3 update:32presets) for each cruises						
Trace	4 traces, record time over 3 minutes (ver5.1.3 update: 10minutes) for each trace						
Power off memory	Support						
Action mode	Preset/Cruise/Trace/Auto Scan/Random Scan						
3D Positioning	Support						
PTZ status display	Support						
Schedule Task	Preset/Cruise/Trace/Random Scan/Boundary Scanning/Dome reboot						
IR	TD-8523IE3N(PE/25M/AR30)	TD-8523IE3N(PE/32M/AR30)	TD-8523IE3N(PE/40M/AR40)				
IR Distance	300m (984.3 f.t.)	300m (984.3 f.t.)	400m (1312.3 f.t.)				
IR type	2W 850nm IR Array, 8pcs	4W 855nm stacked IR Array, 8pcs	5W 855nm stacked thin-film IR Array,8pcs				

Smart IR	Yes		
Network			
Main stream	50Hz: 25fps: 1920×1080, 1280×960, 1280×720, 60Hz: 30fps: 1920×1080, 1280×960, 1280×720		
Sub stream	50Hz: 25fps (704 × 576, 640 × 480, 352 × 288); 60Hz: 30fps (704 × 480, 640 × 480, 352 × 240)		
Third Stream	50Hz: 25fps (1920 × 1080, 1280 × 960, 1280 × 720, 704 × 576, 640 × 480, 352 × 288) 60Hz: 30fps (1920 × 1080, 1280 × 960, 1280 × 720, 704 × 480, 640 × 480, 352 × 240)		
Video compression	H.265+/H.265/H.264+/H.264/MJPEG		
H.264 Standard	H.264/AVC codec BP/MP/HP, Level 5.1		
H.265 Standard	H.265/HEVC codec MP, level 5.0		
Video Bit Rate	64 Kbps to 16Mbps		
Audio compression	G.711 A/U		
Audio Bit Rate	64K bps		
Protocols	HTTP, HTTPS, IPv4/IPv6, 802.1x, QoS, FTP, SMTP, UPnP, SNMP, DNS, DDNS, NTP, RTSP, RTCP, RTP, TCP/IP, UDP, IGMP, ICMP, DHCP, PPPoE, P2P, RTMP		
User / Host	Up to 16 users, 3 levels: Administrator, Advanced User and Normal User		
Security Measures	User authentication (ID and PW), Host authentication (MAC address); HTTPS encryption, IEEE802.1x port-based network access control; IP address filtering		
API	ONVIF , support TVT SDK and third-party management platform		
Client	TVT N9000 1.4.7, TVT NVMS 2.0; and the third-party client, free iOS and Android App		
Web Browser	IE8-11 with plug-in; Edge, Chrome, Firefox with plugin free		
Smart Features			
Basic event	Motion detection, Video tampering alarm, Exception(Network disconnected, IP address conflict, SD full, SD error)		
Face recognize	(Default off, open per request) Face detection, capturing, comparison. Max 17 faces per scene		
Road traffic	Vehicle detecting and tracking. CPL will be available at ver5.1.3		
Smart Detection	Tripwire, Bi-directional tripwire, Illegal intrusion detection, Region entrance detection, Region exiting detection, etc. More VCA will be available at ver5.1.3		
Smart Tracking	Support smart tracking of human or vehicle ,auto/manual		
System Integration			
Alarm Interface	1 Alarm input(Dry contact); 1 Alarm output		
Audio Interface	1 audio input, line level, 2.0-2.4Vpp, impedance 1KΩ; 1 audio output, line level, impedance, 600Ω		
Alarm Linkage	Alarm actions, such as Preset, Cruise, Trace, Memory Card Video Record, Trigger Recording, Notify Surveillance Center, Upload to FTP/Memory Card, Send Email, etc.		
Network Interface	1 RJ45 10M/100M Adaptive Ethernet; Support PoE+		
SD Card Slot	One MicroSD slot and chamber, up to 256G		
Built-in Speaker& Mic	N/A		
RS485	N/A		
BNC	N/A		
Reset button	Yes		
Electric Heater & Fan	Yes		
Water removal	Remove water-drops by quick spinning		
Demist	Active electric heating and air loop		
General	TD-8523IE3N(PE/25M/AR30)	TD-8523IE3N(PE/32M/AR30)	TD-8523IE3N(PE/40M/AR40)
languages	Czech; English, German, Hungarian, Italian, Japanese, Korean, Portuguese, Polish, Russian, Romanian, Spanish; Spanish (Mexico), Simplified Chinese, Turkish, Traditional Chinese, etc.		
Power Adaptor	DC24V±25% 1500mA (AC24V is not available for this version, support by request)		
PoE Supply Spec	30W PoE+, 802.3.at	30W PoE+, 802.3.at	60W PoE++, 802.3.bt
Power consumption	Avg.12W, max 19W, include IR 4W	avg. 12W, max 24W, including IR 8W	avg. 12W, max 27W, including IR 10W
Working condition	-40°C ~ 65°C (-40°F ~ 149°F), IR off; -40°C ~ 45°C, IR on; Cold start at - 30°C; 90%RH		
Storage condition	-40°C ~ 70°C ; ≤ 95% RH		
Protection	6000V Lightning Protection, Surge Protection and Voltage Transient Protection		
Shield Material	Aluminum Alloy (ADC12); Polymer (PC+GF15%)		
Dimensions	Φ 197mm × 302mm (Φ7.8 inch ×11.9 inch)		
Net Weight	Approx. 2.8 Kg (6.17 lb.)	Approx. 2.82 Kg (6.22 lb.)	Approx. 2.9 Kg (6.4 lb.)
Certification	IP67, IK10(including glass window), ROHS, CE, FC, KC, BIS, UKCA		

Ordering information:

TD-8523IE3N(PE/25M/AR30)	2MP 25X IR 300m PoE Network AI NDAA 5inch Speed PTZ Camera, IP67/IK10, DC24V/PoE+, not include power adaptor & bracket
TD-8523IE3N(PE/32M/AR30)	2MP 32X IR 300m PoE Network AI NDAA 5inch Speed PTZ Camera, IP67/IK10, DC24V/PoE+, not include power adaptor & bracket
TD-8523IE3N(PE/40M/AR40)	2MP 40X IR 400m PoE Network AI NDAA 5inch Speed PTZ Camera, IP67/IK10, DC24V/PoE++, not include power adaptor & bracket

Dimensions(mm/inch):



Accessories(optional):



TD-YZJ0321
Wall mounting bracket



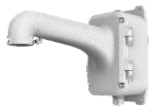
TD-YZJ0321+TD-YZJ0501
Pole mounting bracket



TD-YZJ0321+TD-YZJ0601
Corner mounting bracket



TD-YZJ0807
Pendant mounting bracket



TD-YZJ0311
Wall mounting bracket with junction box



TD-YZJ0312
Pole mounting bracket with junction box



TD-YZJ0313
Corner mounting bracket with junction box



FJ-SW20172402500
DC24V2.5A Supply



TD-B901
PoE+(30W) Midspan



TD-B902
PoE++(60W) Midspan



TD-K23
PTZ Keyboard

* All pictures and texts are for reference only. Actual product may vary due to product enhancements