

8MP 32X IR PoE AI PTZ Dome Camera



TD-8583IE3N(PE/32M/AR20)



HDR



8MP



VCA



Smart tracking



Perimeter



PoE+



IP67



200m



System:

TD-8583IE3N, the 3rd gen 5inch AI PTZ camera series, which adopts a high quality 32x optical zoom lens, and high computing AI SOC, could deliver excellent 3840x2160@30fps image details over a wide open area. The PTZ camera can detect max 17 objects per scene and classify human/vehicles from 2m to 1624m in radius. When any of them intrude restricted area, the camera will trace, zoom fit in center of screen, snap and record and trigger alarms until object disappeared, greatly improving surveillance efficiency.

The 5inch Gen3 PTZ improves many aspects to further utilize AI capacity. The revised gimbal system is up to 360°/s, which could automatically track express fast large objects at 300km/h within several miles distance. The rotation mechanics is enforced to endure over 10 millions times for long-time heavy usage. The 3rd gen PTZ adopts black-ray image and new stacked IR technology, which filter all the intrusive lights and focusing on human and vehicles themselves, thus it could track and recognize human details within hundreds of meters, challenging the most complex environment, whatever it is bright sun-shrine or in pitch black, snowy or rainy, strong headlights of cars and street lamps, etc.

With competitive price, excellent picture quality and strong protection, the camera could meet the demand of 7x24Hour working in harsh weather for professional surveillance market.

Key Spec:

- Ultra fast rotation and tracking speed and over 10millions of tracking life circles.
- Superior low light performance
- Long IR supplement light distance
- 1.5Tops Deep-learning engine, support human/vehicles detection, auto-tracking
- IP67 Water immersion /true IK10 glass/6KV Surge protection,7x24H harsh weather
- Stable supply-chain, long product life circle
- Confirms to data protection regulations of major countries.

Application:

Wide range area intrusion, perimeter protection and alarm and smart-tracking: such as airport, express way, parks, scenic spots, stations and venues, industrial park. Suggestion installation: at 5-10m in height.

SPECIFICATION:

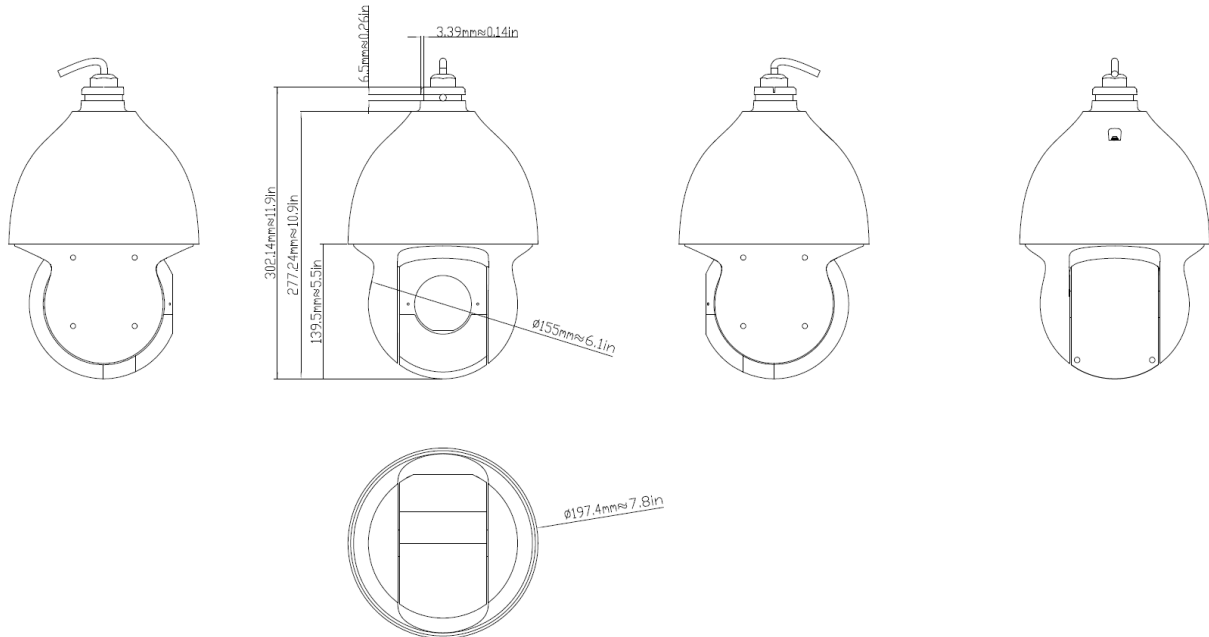
Camera Module			
Image sensor	1/2.8" progressive scan CMOS image sensor, BSI and NIR++,dual gain(SONY IMX715)		
Max resolution	3840×2160		
Mini. Illumination	Color: 0.01 Lux @ (F1.3,AGC ON); B/W:0.002 Lux @(F1.3, AGC ON); 0 Lux with IR		
Image setting	Flip, Mirror, Saturation, Brightness, Contrast, Sharpness, AGC, etc. adjusted by client		
Shutter Speed	60Hz: 1/30s – 1/30,000s@30fps; 50Hz: 1/25s~1/25,000s@25fps		
White Balance	Auto/Manual/Indoor/Outdoor		
Gain control	Auto/Manual		
Day & Night control	Auto/Manual ,time schedule		
Iris control	Auto/Manual		
SNR	≥52dB		
3D DNR	Auto/Manual		
AE Enhancement	BLC, HLC, WDR		
Digital Zoom	8X		
EIS	N/A		
Privacy Mask	4 mask areas (ver5.1.1)		
Picture overlay	Logo picture could be overlaid on video with 128x128pixels,24bits format		
OSD overlay	Max 15 characters/line, 8 lines, white or red font color		
Lens			
Focus length	f=4.8-154mm,32x optical zoom		
Zoom Speed	Approx. 4.6s (optical zoom, wide-tele)		
Field of View	Horizontal: 61.3° ~2.18° ;Vertical: 36.9° ~ 1.22° ; Diagonal: 68.4° ~ 2.5° (wide-tele) ±5%		
Image distance	Wide: 1.0m ~ INF; tele: 1.5m ~ INF		
Aperture Range	F1.3~F4.8(W-T)		
Iris Type	DC_IRIS		
IRCut type	Removable IRCF, reflection type		
DORI table	Focus length	f=4.8mm	f=154mm
	Detect	143.4m(326.8 f.t.)	4093.8m(8126.6f.t.)
	Observe	56.9m(129.7 f.t.)	1624.5m(3250.7 f.t.)
	Recognize	28.7m(65.4 f.t.)	818.8m(1625.3f.t.)
	Identify	14.3m(32.7 f.t.)	409.4m(812.7 f.t.)
PTZ			
Pan Range	360°endless		
Pan speed	Configurable, from 0.1~360°/s; Preset speed: 330°/s		
Tilt Range	From -25° to 155°,auto flip at 90°		
Tilt Speed	Configurable, from 0.1°~210°/s, Preset speed: 180°/s		
Proportional Zoom	Yes		
Preset	360		
Cruise	8 cruises, up to 16 presets for each cruises (ver5.1.1) ,update:32presets(ver5.1.3)		
Trace	4 traces, record time over 3 minutes for each trace(ver5.1.),update: 10minutes(ver5.1.3)		
Power off memory	Support		
Action mode	Preset/Cruise/Trace/Auto Scan/Random Scan		
3D Positioning	Support		
PTZ status display	Support		
Schedule Task	Preset/Cruise/Trace/Random Scan/Boundary Scanning /Dome reboot		
IR			
IR Distance	200m (656 f.t.)		
IR type	8pcs of 5W 855nm IR Array, 4groups		
Smart IR	Yes		
Network			
Main stream	50Hz: 25fps: 3840×2160, 2560×1440, 1920×1080, 1280×960, 1280×720; 60Hz: 30fps: 3840×2160, 2560×1440, 1920×1080, 1280×960, 1280×720		

Sub stream	50Hz: 25fps (704 × 576, 640 × 480, 352 × 288); 60Hz: 30fps (704 × 480, 640 × 480, 352 × 240)	
Third Stream	50Hz: 25fps (1920 × 1080, 1280 × 960, 1280 × 720, 704 × 576, 640 × 480, 352 × 288) 60Hz: 30fps (1920 × 1080, 1280 × 960, 1280 × 720, 704 × 480, 640 × 480, 352 × 240)	
Video compression	H.265+/H.265/H.264+/H.264/MJPEG	
H.264 Standard	H.264/AVC codec BP/MP/HP, Level 5.1	
H.265 Standard	H.265/HEVC codec MP, level 5.0	
Video Bit Rate	64 Kbps to 16Mbps	
Audio compression	G.711 A/U	
Audio Bit Rate	64K bps	
Protocols	HTTP, HTTPS, IPv4/IPv6, 802.1x, QoS, FTP, SMTP, UPnP, SNMP, DNS, DDNS, NTP, RTSP, RTCP, RTP, TCP/IP, UDP, IGMP, ICMP, DHCP, PPPoE, P2P, RTMP	
User / Host	Up to 16 users, 3 levels: Administrator, Advanced User and Normal User	
Security Measures	User authentication (ID and PW), Host authentication (MAC address); HTTPS encryption, IEEE802.1x port-based network access control; IP address filtering	
API	ONVIF , support TVT SDK and third-party management platform	
Client	TVT N9000 1.4.7, TVT NVMS 2.0; and the third-party client, free iOS and Android App	
Web Browser	IE8-11 with plug-in; Edge, Chrome, Firefox with plugin free	
Smart Features		
Basic event	Motion detection, Video tampering alarm, Exception(Network disconnected, IP address conflict, SD full, SD error)	
Face recognize	Face detection, capturing (Default off, open per request) face comparison. Max 15 faces at the same times	
Road traffic	Vehicle detecting and tracking (ver 5.1.3 update CPL recognize)	
Smart Detection	Tripwire, Bi-directional tripwire, Illegal intrusion detection, Region entrance detection, Region exiting detection, etc.	
Smart Tracking	Support smart tracking of human or vehicle, auto/manual	
System Integration		
Alarm Interface	1 Alarm input(Dry contact); 1 Alarm output	
Audio Interface	1 audio input, line level, 2.0-2.4Vpp, impedance 1KΩ; 1 audio output, line level, impedance,600Ω	
Alarm Linkage	Alarm actions, such as Preset, Cruise, Trace, Memory Card Video Record, Trigger Recording, Notify Surveillance Center, Upload to FTP/Memory Card, Send Email, etc.	
Network Interface	1 RJ45 10M/100M Adaptive Ethernet; Support PoE++	
SD Card Slot	One MicroSD slot and chamber, up to 256G	
Built-in Speaker& Mic	N/A	
RS485	N/A	
BNC	N/A	
Reset button	Yes	
Electric Heater & Fan	Yes	
Water removal	Remove water-drops by quick spinning	
Demist	Active electric heating and air loop	
General		
languages	Czech; English, German, Hungarian, Italian, Japanese, Korean, Portuguese, Polish, Russian, Romanian, Spanish, Spanish (Mexico) , Simplified Chinese, Turkish, Traditional Chinese, etc.	
Power	Power consumption	avg. 14W, max 29W, including IR 10W
	Power adaptor	DC24V±25% 1500mA adaptor (AC24V is per request)
	Power over ethernet	PoE++ (802.3.bt)(60Watt) midspan, network switch, router or high power NVR
Working condition	-40°C ~ 65°C (-40°F ~ 149°F), IR off; -40°C ~ 45°C, IR on; Cold start at - 30°C; 90%RH	
Storage condition	-40°C ~ 70°C ; ≤ 95% RH	
Protection	6000V Lightning Protection, Surge Protection and Voltage Transient Protection	
Shield Material	Aluminum Alloy (ADC12); Polymer (PC+GF15%)	
Dimensions	Φ 197mm × 302mm (Φ7.8 inch ×11.9 inch)	
Net Weight	Approx. 2.82 Kg (6.22 lb.)	
Certification	IP67, IK10(including glass window), ROHS, CE, FC, KC, BIS, UKCA	

Ordering information:

TD-8583IE3N(PE/32M/AR20)	8MP 32X IR 200m PoE++ Network AI NDAA 5inch Speed PTZ Camera, IP67/IK10, DC24V or PoE++, not include power adaptor & bracket
--------------------------	--

Dimensions(mm/inch):



Accessories(optional):



TD-YZJ0321
Wall mounting bracket



TD-YZJ0321+TD-YZJ0501
Pole mounting bracket



TD-YZJ0321+TD-YZJ0601
Corner mounting bracket



TD-YZJ0807
Pendant mounting bracket



TD-YZJ0311
Wall mounting bracket
with junction box



TD-YZJ0312
Pole mounting bracket
with junction box



TD-YZJ0313
Corner mounting bracket
with junction box



FJ-SW20172402500
DC24V2.5A Supply



TD-B902
PoE++(60W)Midspan



TD-K23
PTZ Keyboard

* All pictures and texts are for reference only. Actual product may vary due to product enhancement

Shenzhen TVT Digital TECHNOLOGY CO.,LTD

Address: 23rd Floor, Block B4, Building No.9,Shenzhen Bay, Eco-Technology Park, Nanshan District, Shenzhen, Guangdong ,
People.Republic.China

Tel: +86-755-36995888

Web site: <http://en.tvt.net.cn>

Fax: +86-755-33104777

E-mail: overseas@tvt.net.cn