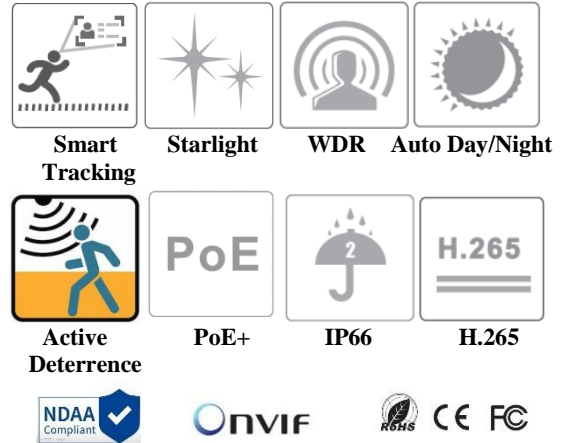


4M 4x IR Network Active Deterrence 3inchMini PTZ



TD-8343IE3N(A/PE/04M/AR5)



System

TD-8343IE3N (A/PE/04M/AR5) the 4MP 4x Network IR mini PTZ, adopts high quality 4x optical AF lens and could output max 4MP30fps ultra HD stream, covering a medium size area. Featuring its high performance, it could meet the demand of small-sized video surveillance application. The H.265 encoder could reduce video bandwidth to 50% of H.264 without loss of image details. With AI engine, it supports human/vehicle detection classification and auto tracking and active deterrence. Upon detecting of illegal intrusion, the camera will trace moving object, zoom fit in the center screen, turn on strong white light, play warning sound, until the object leave out of the perimeter area or time expired. Then the camera will return to patrol mode. With deterrence mode, the camera captures colorful images instead of B/W, improving confidence as court evidence. While in patrol, the PTZ keeps silent and no strong white light disturbs to neighbors and community. The series of PTZ conforms to the ONVIF specifications ensuring interoperability between network video products regardless of manufacturers, and also complies with NDAA 2019. This PTZ has metal main body, water-resistant glass, IP66/IK10 class protection, which could work 7/24H in common outdoor weather.

Key Spec:

- Progressive scan BSI+NIR image sensor
- Up to 2560x1440 resolution
- Mini illumination:
 - Color: 0.01 lux @ (F1.6 AGC ON)
 - 0 Lux with IR
- 4x optical zoom, fast and accurate
- 4 IR LEDs, 2 White LEDs
- Built-in Mics & Speaker
- 30m for audible warnings, 7m for voice recording
- AI-based human vehicle detection & classification and tracking, perimeter precaution, crossing line, etc.
- SD/TF card chamber, Reset button, Alarm in/out
- PoE+ or DC12V power supply, easy installation
- IP66 Water-proof, IK10 vandalism proof.
- Onvif, API, SDK, IE/NVR/VMS/free mobile Apps

Application:

With good image quality and protection, This PTZ camera could meet the demand of small size of video surveillance product. It is suitable for school, hospital, medium residential community, small parks, swimming pool, factories, feedlot, etc.

Suggestion installation height: 2.8m-7m

SPECIFICATION:

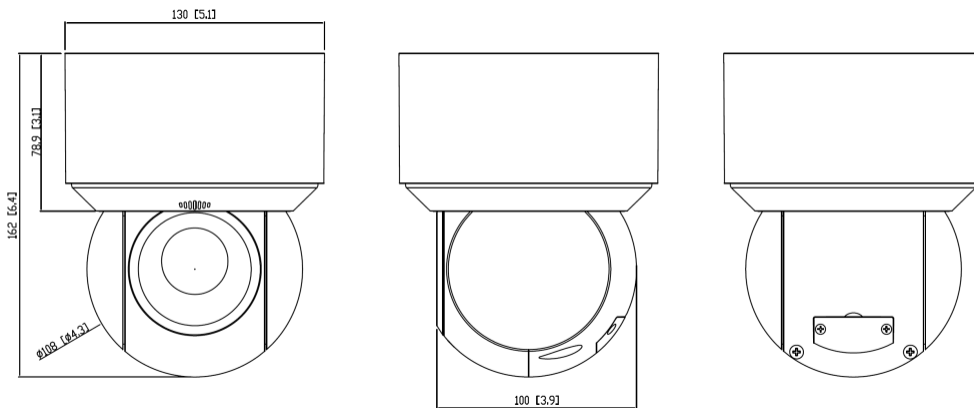
Camera Module					
Image Sensor	1/2.7" progressive scan CMOS with BSI and NIR+ technology				
Max Resolution	2560×1440				
Mini Illumination	Color: 0.01 Lux @ (F1.6, AGC ON); B/W: 0.002Lux @ (F1.6, AGC ON); 0Lux with IR				
Image Setting	Saturation, Brightness, Contrast, Sharpness, AGC, and AWB adjusted by client				
Shutter Speed	50Hz: 1/25s~1/25,000s, 60Hz: 1/30s~1/30,000s				
White Balance	Auto/Manual/Indoor/Outdoor				
Gain	Auto/Manual				
Day & Night	Auto/Manual				
Aperture Control	N/A				
S/N Ratio	≥52dB				
3D DNR	Auto/Manual				
AE Enhancement	BLC, HLC, WDR				
Privacy Mask	4 Programmable privacy masks				
Picture Overlay	Logo picture could be overlaid on video with 128x128pixels, 24bits JPG format				
Font Overlay	Max 15characters per line, 8lines max, white color or red color				
Lens					
Focus Length	f=2.8-12mm lens, 4x optical				
Zoom Speed	About 1.6second(Wide->tele)				
Field of View	Horizontal: 97 ° to 31 °±5%; Vertical: 51 ° to 18 °±5%; Diagonal: 115 ° to 36 °±5% (wide-tele)				
Working Distance	1m to infinite (object to lens distance)				
Aperture Range	F1.6~ F2.7 (wide-tele)				
IRCut Filter	Electrical switchable ICR				
DORI table	Lens	Detect(25px/m)	Observe(63px/m)	Recognize(125px/m)	Identify(250px/m)
	2.8mm	68m(223 f.t)	27.1m(88.9 f.t)	13.6m(44.6 f.t)	6.8m(22.3 f.t)
	12mm	206.7m(678.1 f.t)	82m(269 f.t)	41.3m (135.5 f.t)	20.7m(68f.t)
PTZ					
Pan Range	0~355 °				
Pan speed	Configurable, from 0.5~80 %s; Preset speed: 80 %s				
Tilt Range	From -5 ° to 90 °				
Tilt Speed	Configurable, from 0.5 %~ 60 %s, Preset speed: 60 %s				
Pan/Tilt Action Interval	At least 10seconds, adjustable				
Proportional Zoom	Yes				
Preset	360				
Cruise	8 cruises, up to 16 presets for each cruises				
Trace	4 traces, record time over 3 minutes for each trace				
Power off Memory	Support				
Action Mode	Preset/Cruise/Trace/Auto Scan/Random Scan				
3D Positioning	Support				
PTZ Position Display	Support				
Schedule Task	Preset/Cruise/Trace/Random Scan/Boundary Scanning /Dome reboot				
Supplement Light					
IR Distance	4pcs of IR Array into 2 Groups, auto switch with zoom ratio				
Smart IR	Yes				
White light Distance	2pcs of White LED Array				
White light Mode	Flush mode, torque mode				
Network					
Main Stream	25fps (2560×1440, 2048×1536, 1920×1080, 1280×960, 1280×720); 30fps (2560×1440, 2048×1536, 1920×1080, 1280×960, 1280×720)				
Sub Stream	25fps (704 × 576, 640 × 480, 352 × 288); 30fps (704 × 480, 640 × 480, 352 × 240)				
Third Stream	25fps (1280 × 720, 704 × 576, 640 × 480, 352 × 288); 30fps (1280 × 720, 704 × 480, 640 × 480, 352 × 240)				
Video Compression	Smart H.265+/H.265/H.264+/H.264/MJPEG				
H.264 Encoder	H.264/AVC codec BP/MP/HP, level 5.1				

H.265 Encoder	H.265/HEVC codec MP, level 5.0
Video Bit rate	64Kbps ~ 16Mbps
Audio Compression	G.711 A/U
Audio Bit rate	64Kbps
Protocols	HTTP, HTTPS, IPv4/IPv6, 802.1x, QoS, FTP, SMTP, UPnP, SNMP,DNS, DDNS, NTP, RTSP, RTCP, RTP, TCP/IP, UDP, IGMP, ICMP,DHCP, PPPoE
User / Host	Up to 16 users, 3 levels: Administrator, Advanced User and Normal User
Security Measures	User authentication (ID and PW), Host authentication (MAC address); HTTPS encryption, IEEE802.1x port-based network access control; IP address filtering
Smart Features	
Basic Event	Motion detection, video tampering alarm, exception (network disconnected, IP address conflict, SD full, SD error)
Face Recognition	(Default N/A)human face detection capture, face comparing(per request)
Road Traffic	Vehicle detecting and tracking, etc.
Smart Detection	Tripwire, Bi-directional tripwire, Illegal intrusion detection, Region entrance detection, Region exiting detection, etc.
Smart Tracking	Smart tracking of human or vehicle, auto/manual
Active Deterrence	Flush strong white light and predefined voice upon invaders detected.
Dual Way Talk	One way talk.
System Integration	
Ext. Audio Interface	1-ch audio input(mic in),2.0-2.4Vp-p,1kΩ±10%;1-ch audio output(line out),line level,impedance:600 Ω;
Built-in Speaker	Yes, One Speaker, 4Ω, 2.5Watt. Rotation with camera, up to 30m distance audible
Built-in MIC	1channel, rotation with camera lens direction, up to 8m distance voice recordable.
Audio Device Switch	Default use built-in speaker and MIC, manually switch to external
Alarm Interface	1CH alarm input(Dry contact); 1CH alarm output
Alarm Linkage	Alarm actions, such as Preset, Cruise, Trace, Memory Card Video Record, Trigger Recording, Notify Surveillance Center, Upload to FTP/Memory Card, Send Email, etc.
Network Interface	1 RJ45 10M/100M Adaptive Ethernet (Support PoE+)
Storage Slot	Standalone memory card chamber, support microSD/TF card, up to 256GB
Serial Interface	N/A
Auxiliary Video Out	N/A
Reset button	Yes
Heat and Fan	N/A
Water Removal	Dust and Water-resistant coating
API	ONVIF, support TVT SDK and third-party management platform
Client	TVT N9000 1.4.5, TVT NVMS 2.0; and the third-party client, free iOS and Android App
Web Browser	IE8-11 with plug-in; Edge, Chrome, Firefox with plugin free
General	
Languages	Czech; English, German; Hungarian ; Italian ; Japanese ; Korean ; Portuguese, Polish; Russian, Romanian, Spanish; Spanish(Mexico);Simplified Chinese; Turkish; Traditional Chinese. etc.
Power	DC12V ±20%,2000mA,orPoE+ (802.3.at,class 3), AVG 3.3W,MAX14.9W at day;18.9W at night(LED on+ Speaker on + PTZ working)
Working Condition	-40 °C ~ 55 °C (-40 °F ~ 131 °F) IR off, -40 °C ~ 40 °C IR on; Cold start≥- 25 °C(1Hour waiting), ≤90%RH
Storage Condition	-40 °C ~ 70°C ; ≤ 95% RH
Protection	6000V Lightning Protection, Surge Protection and Voltage Transient Protection
Shield Material	Main body: Aluminum Alloy(ADC12),Decoration: Polymer(Glass fiber and Plastic)
Dimensions	Φ 130mm x 162mmH (Φ 5.1'x 6.4')
Net Weight	Approx. 1.2Kg (2.645lb.)
Certification	IP66,IK10,ROHS,CE,FC,UKCA

Ordering information

TD-8343IE3N(A/PE/04M/AR5)	4MP 4x Network active deterrence 3inch PTZ,includingYZJ1101 mount adaptor, not include power adaptor
---------------------------	--

Dimensions(mm/inch):



Accessories:

- Default Included:



TD-YZJ1101

Adaptor and support in-ceiling mounting

- Optional:



TD-YZJ0210

Wall mounting bracket



TD-YZJ0210 + TD-YZJ0502

Pole mounting bracket



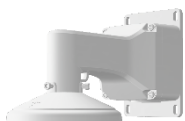
TD-YZJ0210+TD-YZJ0601

Corner mounting bracket



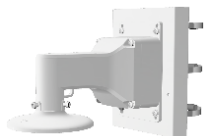
TD-YZJ0815

Pendant mounting bracket



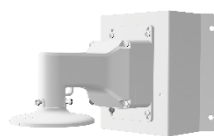
TD-YZJ0212

Wall mounting bracket
with junction box



TD-YZJ0212+YZJ0501

Pole mounting bracket
with junction box



TD-YZJ0212+TD-YZJ0601

Corner mounting bracket
with junction box



TD-YXH0206

In-ceiling mounting
junction box



TD-B901

30Watt PoE+ Midspan



DC12V/3000mA

Power adaptor



TD-K23

Keyboard



TD-YZJ0204

Wall mounting bracket

*All texts,pictures and data subject to change without notice.