



TD-YZJ0102B

Wall Mounting Bracket

Features

- Aluminum & SPCC material with surface spray treatment
- Camera soleplate is rotatable
- Wall mounting bracket for box cameras

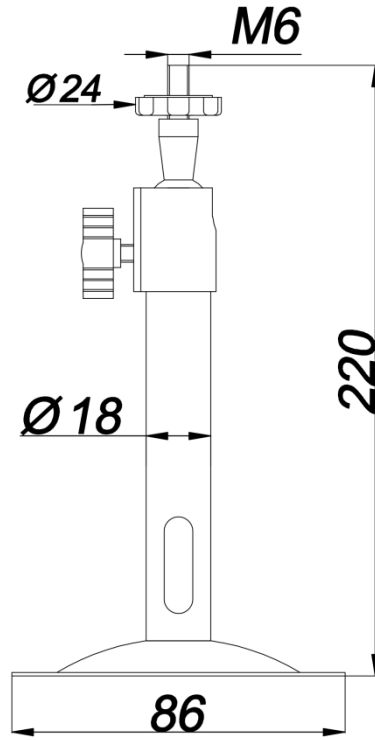
Specifications

| | |
|-------------------------|--|
| Model | TD-YZJ0102B |
| Material | Aluminum & SPCC |
| Color | Golden |
| Min. Packaging Quantity | - |
| Packing Size | As needed |
| Dimension | 220x86mm |
| Net Weight | 90g |
| Load Bearing | The wall must be strong enough to withstand at least 3 times the weight of the camera and the bracket. |
| Working Temperature | -40°C~+60°C(-40°F~+140°F) |
| Working Humidity | 10% ~ 90% |

Available Model

| | | |
|-----------------|-------------|-----------------------|
| Available Model | TD-YZJ0102B | Wall mounting bracket |
|-----------------|-------------|-----------------------|

Dimensions



Shenzhen TVT Digital Technology Co., LTD.

Address: 23rd Floor, Block B4, Building NO.9, Shenzhen Bay Eco-Technology Park, Nanshan District, Shenzhen, Guangdong Province, P.R. China

Tel: +86-755-36995888

Website: <http://en.tvt.net.cn>

Fax: +86-755-33104777

E-mail: overseas@tvt.net.cn