



TD-YZJ0311

Wall Mounting Bracket

Dimensions

- Aluminum alloy material with surface spray treatment
- Wall mounting bracket with the junction box

Specifications

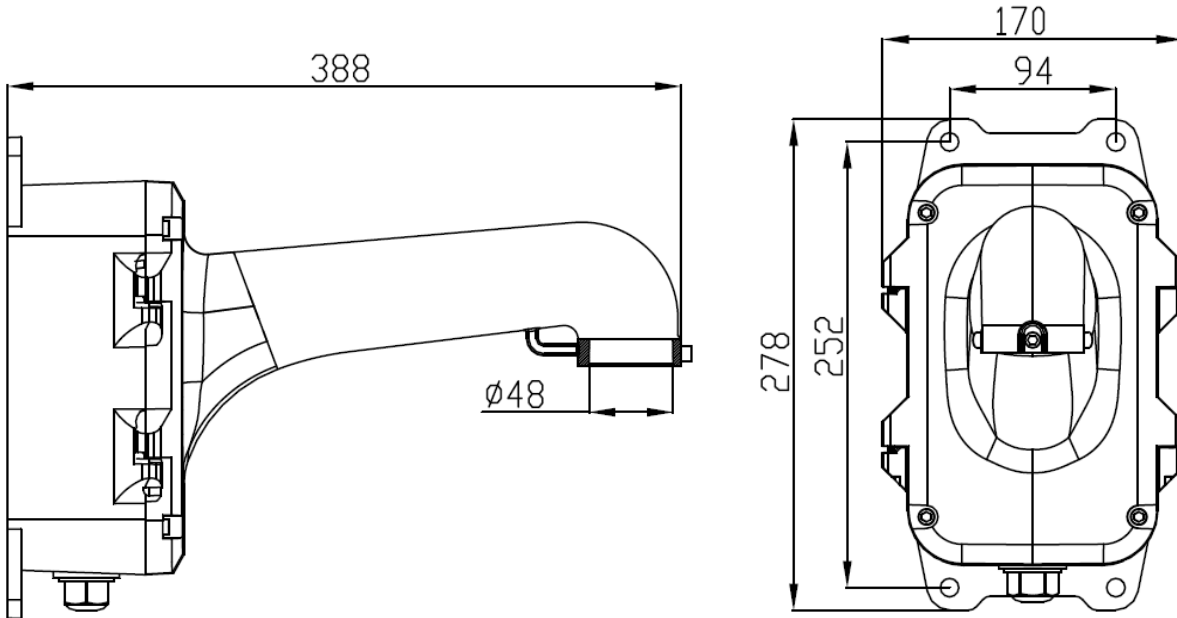
Model	TD-YZJ0311
Material	Aluminum alloy
Color	White
Min. Packaging Quantity	1
Packing Size	423x323x220mm
Dimension	388x278x170mm
Net Weight	2.5kg
Load Bearing	The wall must be strong enough to withstand at least 3 times the weight of the speed dome and the bracket.
Working Temperature	-40°C~+60°C(-40°F~+140°F)
Working Humidity	10% ~ 90%

Available Model

Available Model	TD-YZJ0311	Wall mounting bracket
-----------------	------------	-----------------------

Dimensions

Unit: mm



Shenzhen TVT Digital Technology Co., LTD.

Address: 23rd Floor, Block B4, Building NO.9, Shenzhen Bay Eco-Technology Park, Nanshan District, Shenzhen, Guangdong Province, P.R. China

Tel: +86-755-36995888

Website: <http://en.tvt.net.cn>

Fax: +86-755-33104777

E-mail: overseas@tvt.net.cn