



# TD-YZJ1002

## Pole Mounting Bracket

### Features

- Aluminum alloy material with surface spray treatment
- Turnstile integrated bracket for face recognition (& temperature measurement) terminal

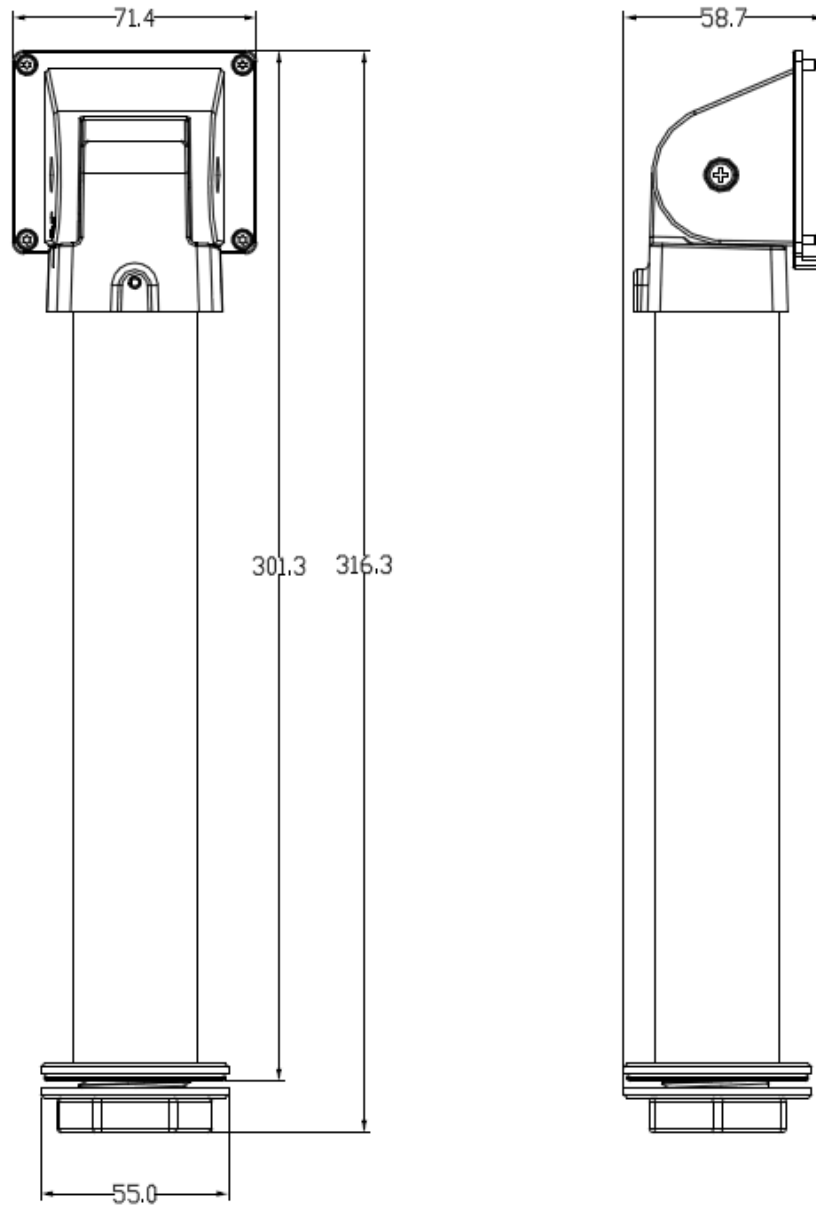
### Specifications

Model	TD-YZJ1002
Material	Aluminum alloy
Color	Black and silver
Min. Packaging Quantity	18
Packing Size	440x350x258mm
Dimension	71.4x58.7x316.3mm
Net Weight	Approx. 521g
Load Bearing	The installation surface must be strong enough to withstand at least 3 times the weight of the terminal and the bracket.

### Available Model

Available Model	TD-YZJ1002	Pole mounting bracket
-----------------	------------	-----------------------

**Dimensions**



**Shenzhen TVT Digital Technology Co., LTD.**

Address: 23<sup>rd</sup> Floor, Block B4, Building NO.9, Shenzhen Bay Eco-Technology Park, Nanshan District, Shenzhen, Guangdong Province, P.R. China

Tel: +86-755-36995888

Website: <http://en.tvt.net.cn>

Fax: +86-755-33104777

E-mail: [overseas@tvt.net.cn](mailto:overseas@tvt.net.cn)