



TD-YZJ1005

Floor-Standing Mount

Features

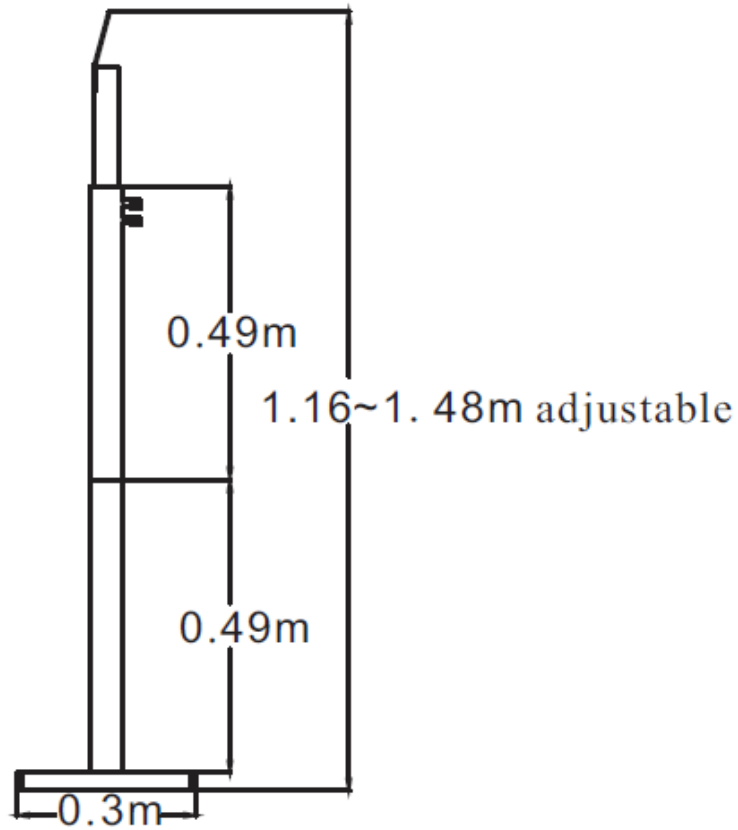
- Material : Aluminum alloy and plastics
- Floor-standing mounting bracket for face recognition (&temperature measurement) terminal

Specifications

Model	TD-YZJ1005
Material	Aluminum alloy + plastics
Color	Black
Min. Packaging Quantity	4
Packing Size	670x580x390mm
Dimension	300x300x1480m
Net Weight	Approx. 4600g

Available Model

Available Model	TD-YZJ1005	Floor-standing mount
-----------------	------------	----------------------

Dimensions

Shenzhen TVT Digital Technology Co., LTD.

Address: 23rd Floor, Block B4, Building NO.9, Shenzhen Bay Eco-Technology Park, Nanshan District, Shenzhen,
Guangdong Province, P.R. China

Tel: +86-755-36995888

Website: <http://en.tvt.net.cn>

Fax: +86-755-33104777

E-mail: overseas@tvt.net.cn