



# TD-YZJ0313

## Corner Mounting Bracket

### Dimensions

- Aluminum alloy and steel material with surface spray treatment
- Corner mounting bracket with the junction box

### Specifications

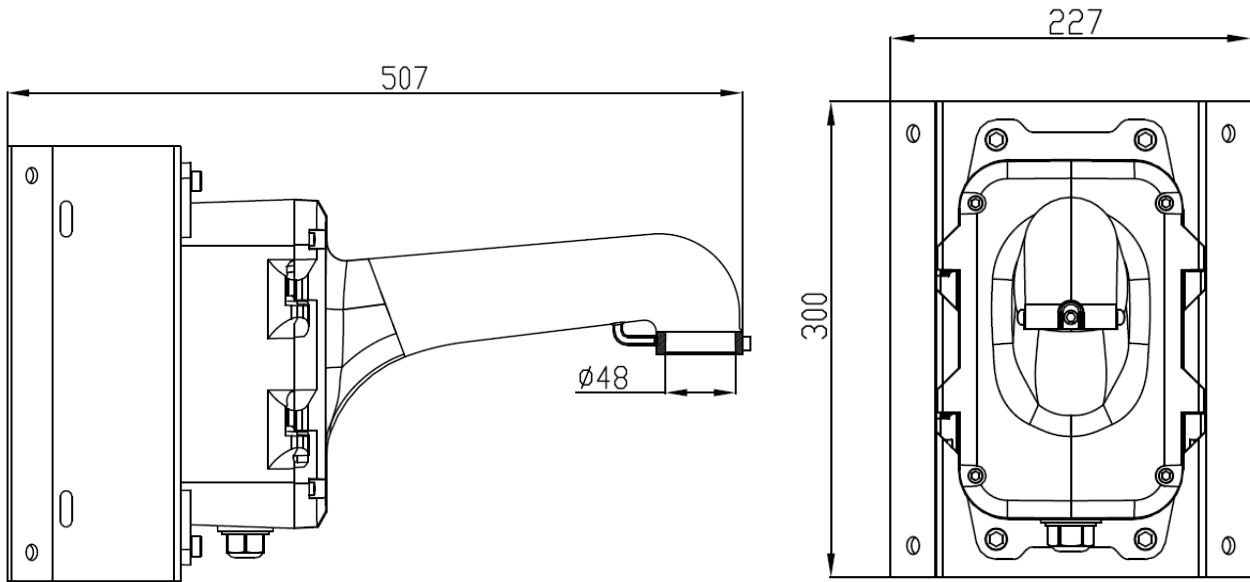
Model	TD-YZJ0313
Material	Aluminum alloy and steel
Color	White
Min. Packaging Quantity	1
Packing Size	450x300x478mm
Dimension	507x300x227mm
Net Weight	6.3kg
Load Bearing	The wall must be strong enough to withstand at least 3 times the weight of the speed dome and the bracket.
Working Temperature	-40°C~+60°C(-40°F~+140°F)
Working Humidity	10% ~ 90%

### Available Model

Available Model	TD-YZJ0313	Corner mounting bracket
-----------------	------------	-------------------------

**Dimensions**

Unit: mm



**Shenzhen TVT Digital Technology Co., LTD.**

Address: 23<sup>rd</sup> Floor, Block B4, Building NO.9, Shenzhen Bay Eco-Technology Park, Nanshan District, Shenzhen, Guangdong Province, P.R. China

Tel: +86-755-36995888

Website: <http://en.tvt.net.cn>

Fax: +86-755-33104777

E-mail: [overseas@tvt.net.cn](mailto:overseas@tvt.net.cn)