

THERMAL CAMERA

# TD-5463E1-VT2

Thermal Network Bullet Camera



**Thermal:**

- Resolution: 640×512
- 12μm, NETD: ≤35mK(@40°C, F#=1.0)
- Temperature range: -20°C~150°C
- Multi-palette: white hot, black hot, iron oxide red, rainbow, etc.
- Sound and light warning, temperature exception alarm, fire detection
- Intelligent analytics: region intrusion/entrance/exiting (human/motor vehicle classification), line crossing detection (human/motor vehicle classification)
- Supports dual image fusion
- Supports temperature overlay on video stream

**Optical:**

- 5MP ( 2592 × 1944 ) @30 fps
- ICR auto switch, true day/night vision
- 50~70m IR night view distance
- 3D DNR, true WDR(120dB), HLC, BLC, Smart IR, distortion image correction, ROI etc.
- Intelligent analytics: region intrusion/entrance/exiting detection (human/motor vehicle/non-motor vehicle classification), line crossing detection (human/motor vehicle/non-motor vehicle classification), target counting by line/area (human/vehicle /non-motor vehicle classification), face detection, face capture, illegal parking detection, loitering detection, abandoned/missing object detection

**Shenzhen TVT DIGITAL TECHNOLOGY CO., LTD.**

Address: 23<sup>rd</sup> Floor, Block B4, Building NO.9, Shenzhen Bay Eco-Technology Park, Nanshan District, Shenzhen, Guangdong Province, P.R.China

Tel: +86-755-36995888

Web site: <http://en.tvt.net.cn>

Fax: +86-755-33104777

E-mail: [overseas@tvt.net.cn](mailto:overseas@tvt.net.cn)

### SPECIFICATIONS

Model	TD-5463E1-VT2		
<b>Specifications</b>			
<b>Thermal Module</b>			
Detector Type	12μm 640×512 uncooled focal plane detector		
Response Waveband	8μm-14μm		
NETD	≤35mK(@25°C, F#=1.0)		
IRIS Type	Fixed Iris		
Lens	9.1mm@F1.0	19mm@F1.0	25mm@F1.0
Field of View(H×V)	45.8°×37.4°	22.9°×18.4°	17.5°×14°
Color Palettes	Black hot, White hot, iron oxide red, rainbow, etc.		
DRI Distance Human (0.75m)	D: 379m(1243ft) R: 95m(311ft) I: 47m(154ft)	D: 792m(2598ft) R: 198m(650ft) I: 99m(323ft)	D: 1042m(3418ft) R: 260m(853ft) I: 130m(426ft)
DRI Distance Vehicle (2.3m)	D: 1163m(3815ft) R: 291m(954ft) I: 145m(475ft)	D: 2428m(7966ft) R: 607m(1991ft) I: 303m(994ft)	D: 3194m(10479ft) R: 799m(2621ft) I: 399m(1309ft)
<b>Visible Light Module</b>			
Image Sensor	1/ 2.7" CMOS		
Image Size	2592 × 1944		
Electronic Shutter	1/3 s ~ 1 / 1000000 s		
Iris Type	Fixed Iris		
Min. Illumination	0.02 lux@F1.6, AGC ON; 0 lux with IR 0.03 lux@F2.0, AGC ON; 0 lux with IR		
Lens	4mm@F1.6	8mm@F2.0	12mm@F2.0
Field of View(H×V)	81°×56.7°	38°×27.5°	26.6°×19.3°
Wide Dynamic Range	120dB		
BLC	Yes		
HLC	Yes		
Defog	Yes		
Digital NR	2D/3D DNR		
<b>Image</b>			
Video Compression	H.265 / H.264 / MJPEG		
H.264 Compression Standard	Baseline Profile / Main Profile / High Profile		
Bit Rate Type	VBR/CBR		
Bit Rate	128Kbps~ 8Mbps		
Resolution	Thermal : 640×512 (the resolution of output image is 720P/D1/640×512/CIF/480×240)  Optical: 5MP ( 2592 × 1944 ), 4MP ( 2592 × 1520 ), 2K ( 2560 × 1440 ), 3MP ( 2304 × 1296 ), 1080P ( 1920 × 1080 ), 720P ( 1280 × 720 ), D1, CIF, 480 × 240		
Main Stream	Optical: 60Hz: 5MP/4MP/2K/3MP/1080P/720P (1~30fps); 50Hz: 5MP/4MP/2K/3MP/1080P/720P (1~25fps)  Thermal : 720P/D1/CIF/640×512/480×240(1~25fps)		
Sub Stream	Optical: 60Hz: 720P/D1/CIF (1~30fps); 50Hz: 720P/D1/CIF (1~25fps)		
Third Stream	Optical: 60Hz: D1/CIF/480×240(1~30fps); 50Hz: D1/CIF/480×240(1~25fps)		
Dual Image Fusion	Yes		
Temperature Overlay	Temperature can be overlaid on video stream		
Image Settings	ROI, Saturation, Brightness, Hue, Contrast, Wide Dynamic, Sharpness, NR, etc. adjustable through client software or web browser		

Audio Compression	G711A/U		
ROI	8 regions; each ROI to be configured separately		
<b>Interfaces</b>			
Network	RJ 45		
Video Output	No		
Audio	1CH audio input; 1CH built-in speaker		
Storage	Built-in micro SD card slot; up to 256GB		
Reset	Yes		
RS 485	Yes		
Alarm	4CH alarm input; 4CH alarm output		
<b>Functions</b>			
Temperature Range	-20°C~150°C (-4°F~302°F)		
Temperature Accuracy	±8°C or ±8%		
Temperature alarm	Over temperature alarm, low temperature alarm		
Temperature Measurement	10 rules in total (Point: up to 10; Line: 2, recommended; Area: 2, recommended)		
Fire Detection	Dynamic fire detection, up to 10 fire points detectable		
Remote Monitoring	Web browser/NVMS2.X/Mobile APP		
Online Connection	Support simultaneous monitoring for up to 10 users; Support multi-stream real time transmission		
Network Protocol	UDP, IPv4, IPv6, DHCP, NTP, RTSP, RTP, RTCP, PPPoE, DDNS, SMTP, FTP, SNMP, HTTP, 802.1x, UPnP, HTTPS, HTTP POST, QoS		
Interface Protocol	ONVIF		
Storage	Network remote storage; micro SD card storage		
Smart Alarm	Motion detection, SD card error, SD card full, IP address conflict, Cable connection, video exception, audio exception		
Intelligent Analytics	Optical: region intrusion/entrance/exiting detection/line crossing detection (human/motor vehicle/non-motor vehicle classification), target counting by line/area (human/motor vehicle/non-motor vehicle classification), face detection, illegal parking detection, loitering detection, abandoned/missing object detection Thermal: fire detection, temperature exception alarm, region intrusion/entrance/exiting detection/line crossing detection (human/motor vehicle classification) AI function can be enabled simultaneously on thermal and optical channels		
General Function	Watermark, IP address filtering, video mask, heartbeat, password protection, image distortion correction		
Sound&Light Warning	White light flashing alarm and sound alarm supported		
PoE	Yes, IEEE802.3 af, class0		
IR Distance	20~ 30m	30~ 50m	50~ 70m
Protection Grade	IP66		
<b>Others</b>			
Power Supply	DC12V / PoE		
Power Consumption	< 9W		
Operating Environment	Humidity: less than 95% (non-condensing) -30 °C ~ 60 °C (-22°F~140°F)		
Certificate	CE, FCC		
Environment Protection	Complies with Directive EU RoHS, WEEE(2012/19/EU), directive 94/62/EC and REACH(EC1907/2006)		
Dimensions ( mm )	278.3 × 100.2 × 88.7		
Weight ( net )	Approx.1.18KG		
Installation	Ceiling mounting; Wall mounting		

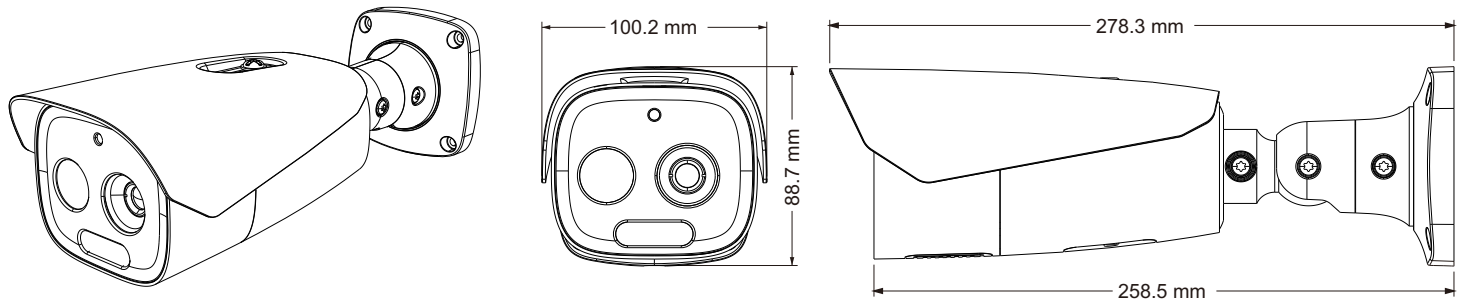
### AVAILABLE MODEL

Available Model	TD-5463E1-VT2(9/PE)	9.1mm thermal lens
	TD-5463E1-VT2(19/PE)	19mm thermal lens
	TD-5463E1-VT2(25/PE)	25mm thermal lens

\*The above-mentioned DRI distance is for reference only and the performance may vary according to different environment. The optimal human detection, recognition, and identification distances are calculated according to Johnson's Criteria.

Detection Range: In order to distinguish an object from the background, the object must be covered by 1.5 or more pixels. Recognition Range: In order to classify the object (animal, human, vehicle, etc.), the object must be covered by 6 or more pixels. Identification range: In order to identify the object and describe it in details, the object must be covered by 12 or more pixels.

## DIMENSIONS



## AVAILABLE ACCESSORIES



TD-YXH0302



TD-YXH0302+  
TD-YZJ0501



TD-YXH0302+  
TD-YZJ0601



TD-YXH0302+  
TD-YZJ0811