



# TD-YZJ0807

## Ceiling Mounting Bracket

### Features

- Aluminum alloy material with surface spray treatment
- Ceiling mounting bracket for PTZ cameras

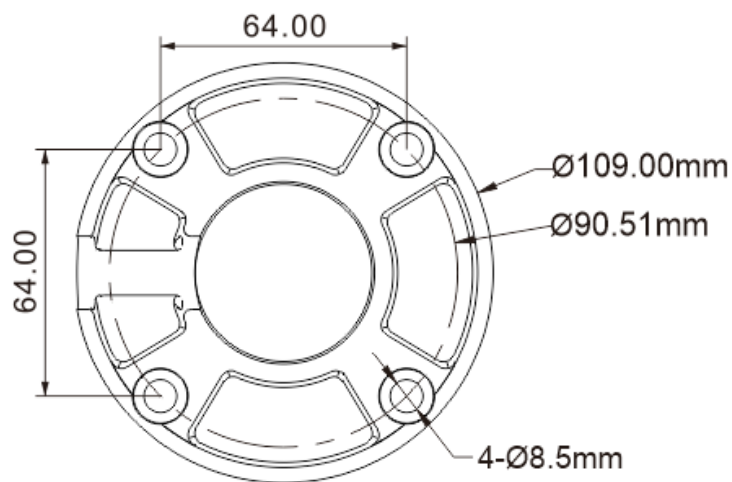
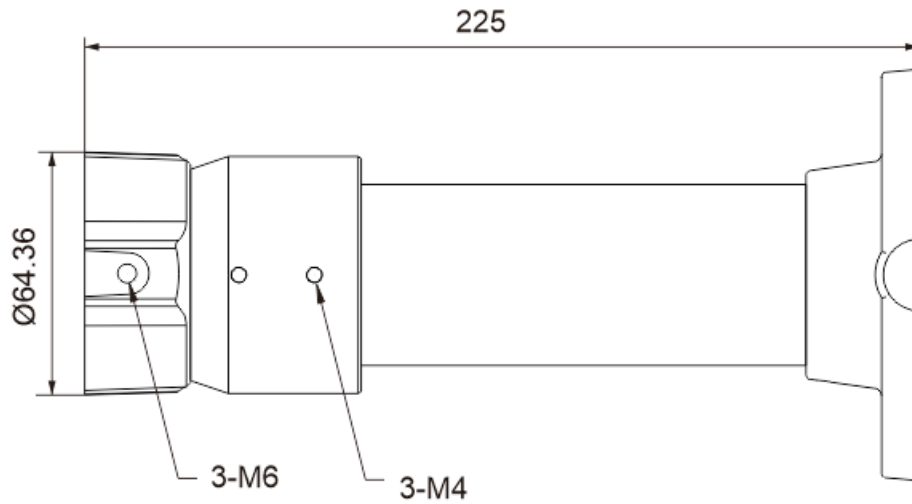
### Specifications

Model	TD-YZJ0807
Material	Aluminum alloy
Color	White
Min. Packaging Quantity	10
Packing Size	677x270x390mm
Dimension	Ø109 x 225mm
Net Weight	440g
Load Bearing	The wall must be strong enough to withstand at least 3 times the weight of the camera and the bracket.
Working Temperature	-40°C~+60°C(-40°F~+140°F)
Working Humidity	10% ~ 90%

### Available Model

Available Model	TD-YZJ0807	Ceiling mounting bracket
-----------------	------------	--------------------------

**Dimensions**



**Shenzhen TVT Digital Technology Co., LTD.**

Address: 23<sup>rd</sup> Floor, Block B4, Building NO.9, Shenzhen Bay Eco-Technology Park, Nanshan District, Shenzhen, Guangdong Province, P.R. China

Tel: +86-755-36995888

Website: <http://en.tvt.net.cn>

Fax: +86-755-33104777

E-mail: [overseas@tvt.net.cn](mailto:overseas@tvt.net.cn)