

TD-5433E1-ST2

Thermal Network Bullet Camera



- Resolution: 384 × 288
- 12 μm, NETD: < 35mK(@25°C, F#=1.0)
- Temperature range: -20°C~150°C
- Multi-palette: whit hot, black hot, rainbow, iron oxide red, etc.
- Intelligent analytics: region intrusion/entrance/exiting detection (human/vehicle classification), line crossing detection (human/vehicle classification), temperature exception alarm, fire detection
- IP66 ingress protection

Shenzhen TVT Digital Technology Co., LTD.

Address: 23rd Floor, Block B4, Building NO.9, Shenzhen Bay Eco-Technology Park, Nanshan District, Shenzhen, Guangdong Province, P.R. China

Tel: +86-755-36995888

Website: <http://en.tvt.net.cn>

Fax: +86-755-33104777

E-mail: overseas@tvt.net.cn

Specifications

Model	TD-5433E1-ST2
Thermal Module	
Detector Type	12 μ m 384 \times 288 Uncooled Infrared Focal Plane Array
NETD	\leq 35mK(@25 $^{\circ}$ C, F#=1.0)
Lens	35mm@F1.0
Field of View (H \times V)	7.5 $^{\circ}$ \times 5.7 $^{\circ}$
Color Palettes	Black hot, white hot, rainbow, iron oxide red, etc.
DRI Distance Human (0.75m)	D: 1458m(4783ft) R: 365m(1198ft) I:182m(597ft)
DRI Distance Vehicle (2.3m)	D: 4472m(14672ft) R: 1118m(3668ft) I:559m(1834ft)
Image	
Video Compression	H.265/H.264/MJPEG
H.264 Compression Standard	Baseline Profile / Main Profile / High Profile
Bit Rate Type	VBR/CBR
Bit Rate	128Kbps ~ 4Mbps
Resolution	384 \times 288 (the resolution of output image is 720P/D1/CIF/480 \times 240)
Main Stream	720P/D1(1~25fps)
Sub Stream	D1/CIF/480 \times 240(1~25fps)
Third Stream	D1/CIF/480 \times 240(1~25fps)
Image Overlay	Temperature, time, date, channel number, channel name and self-defined texts can be overlaid on the live image
Audio Compression	G711A/U
Temperature Overlay	Thermal image temperature overlay
Interface	
Network	RJ45
Video Output	No
Audio	1CH audio input; 1CH audio output; 1CH built-in speaker
Storage	Built-in micro SD card slot, up to 256GB
Reset	Yes
RS485	Yes
Alarm	4CH alarm input; 4 CH alarm output
Function	
Temperature Measurement	Temperature Range: -20 $^{\circ}$ C~150 $^{\circ}$ C
	Temperature Accuracy: \pm 8 $^{\circ}$ C or \pm 8%
Temperature Alarm	10 rules in total (Point up to 10; Line: 2 recommended; Area: 2 recommended)
	Over temperature alarm, low temperature alarm;
Fire Detection	Dynamic fire detection, up to 10 fire points detectable
Remote Monitoring	Web browser / NVMS/NVR/Mobile APP
Online Connection	Support simultaneous monitoring for up to 10 users; Support multi-stream real time transmission
Network Protocol	UDP, IPv4, IPv6, DHCP, NTP, RTSP, PPPoE, DDNS, SMTP, FTP, SNMP, 802.1x, UPnP, HTTPS, HTTP POST, Qos
Interface Protocol	ONVIF
Storage	Network remote storage; micro SD card storage
Smart Alarm	Motion detection, sensor alarm, SD card error, SD card full, IP address conflict, cable disconnection

Intelligent Analytics	Line crossing detection, region intrusion detection, region entrance detection, region exiting detection, fire detection, temperature exception detection
Light and Sound Alarm	Support sound linkage alarm
General Function	Watermark, IP address filtering, heartbeat, illegal login lock
PoE	Yes, IEEE802.3af
Ingress Protection	IP66
Others	
Power	DC12V/PoE
Power Consumption	< 9W
Working Environment	- 30 ~60°C; Humidity: < 95% (non-condensing)
Dimensions(mm)	278.3 × 100.4 × 89
Weight(net)	Approx. 1.05KG
Installation	Wall mounting; ceiling mounting

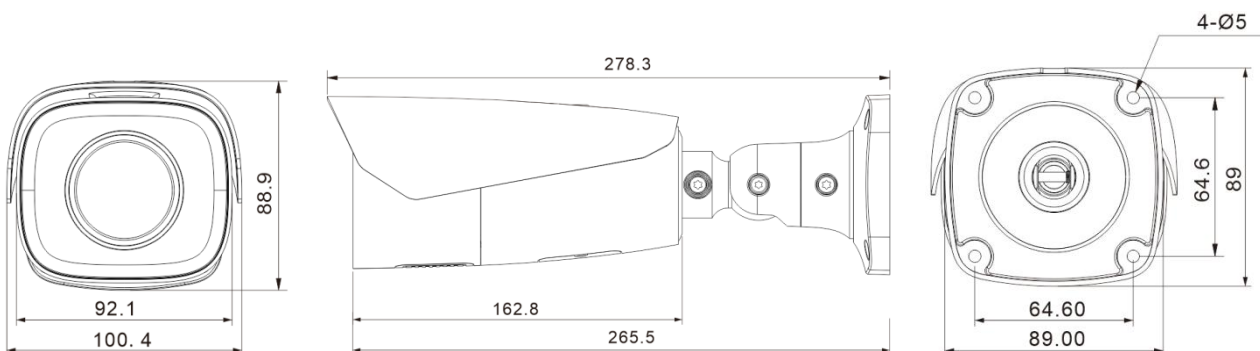
*The above-mentioned DRI distance is for reference only and the performance may vary according to different environment. The optimal human detection, recognition, and identification distances are calculated according to Johnson's Criteria.

Detection Range: In order to distinguish an object from the background, the object must be covered by 1.5 or more pixels. Recognition Range: In order to classify the object(animal, human, vehicle, etc.), the object must be covered by 6 or more pixels. Identification range: In order to identify the object and describe it in details, the object must be covered by 12 or more pixels.

Available Model

Available Model	TD-5433E1-ST2(35/PE)	35mm lens
-----------------	----------------------	-----------

Dimensions



Available Accessories

Optional:



TD-YXH0302



TD-YXH0302+
TD-YZJ0501



TD-YXH0302+
TD-YZJ0601



TD-YXH0302+
TD-YZJ0811